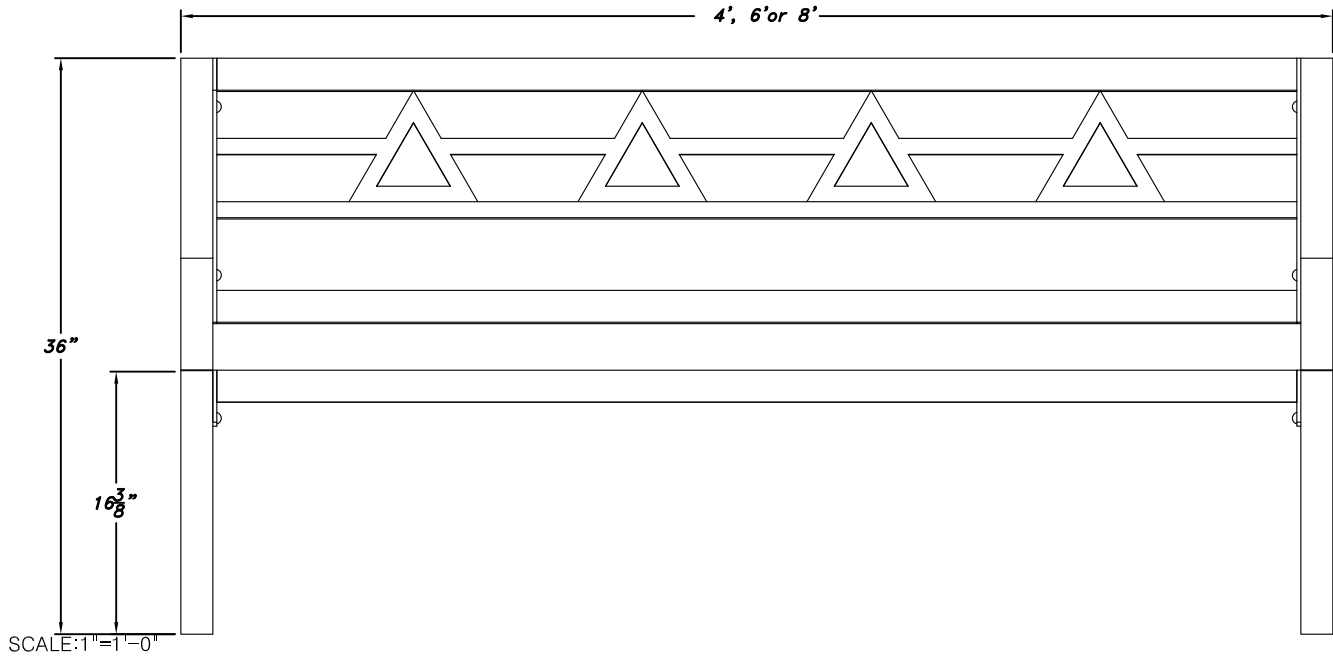
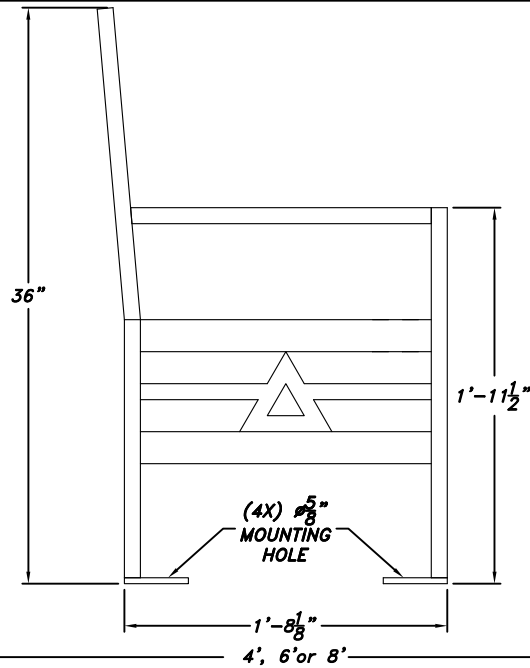


EL PASEO SERIES



N-ELP-BB-TR-ARM2-__-__

N-ELP- BB - TR - ARM2 - _____ - _____ - _____
 Series Bench Pattern Armrest Length Mounting Color

BENCH MODEL	PATTERN	ARMREST	LENGTH	MOUNTING	COLOR OF POWDER COAT FINISH
<input checked="" type="checkbox"/> (BB) w/ BACK <input type="checkbox"/> (BLB) BACKLESS	<input type="checkbox"/> (CR) CIRCLE <input checked="" type="checkbox"/> (TR) TRIANGLE <input type="checkbox"/> (HX) HEXAGON	<input checked="" type="checkbox"/> ARMREST_2 <input type="checkbox"/> w/o ARMREST	<input type="checkbox"/> 4Ft <input type="checkbox"/> 6Ft <input type="checkbox"/> 8Ft	<input type="checkbox"/> (E) EMBEDDED <input type="checkbox"/> (F) SURFACE FLANGE <input type="checkbox"/> (FS) FREE STANDING	<input type="checkbox"/> (BLK) BLACK <input type="checkbox"/> (HG) HAND BRUSHED GREEN <input type="checkbox"/> (BRZ) BRONZE <input type="checkbox"/> (HR) HAND BRUSHED GRAY <input type="checkbox"/> (GRN) GREEN <input type="checkbox"/> CUSTOM _____

Catalog Name: N-ELP-BB-TR-ARM2 Date: 02.15.18
 Revision History: N/A Revision #: 0
 Niland Approval: Luis M. Gomez Customer Approval: _____ Page: 1 of 1



Niland Company