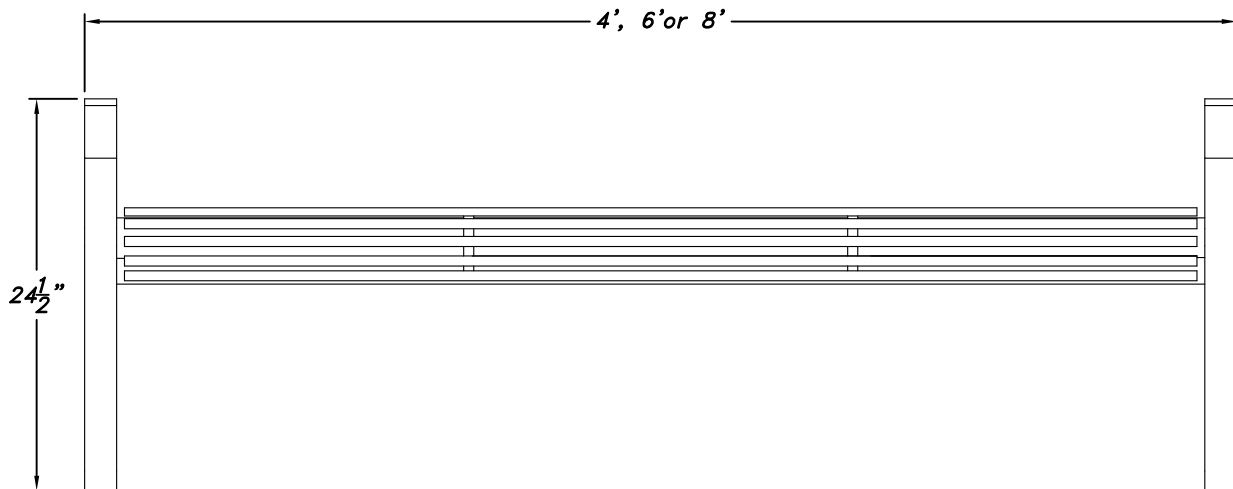
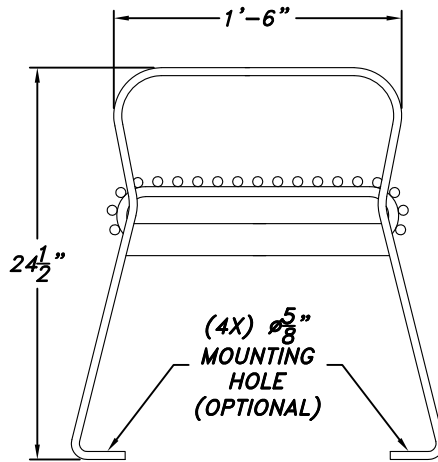


CASCADIA SERIES



SCALE: 1"=1'-0"

N-CC-BLB-RB-ARM2-__-__

N-CC-BLB-RB-ARM2-____-____-____
 Series Bench Material Armrest Length Mounting Color

BENCH MODEL	MATERIAL	ARMREST	LENGTH	MOUNTING	COLOR OF POWDER COAT FINISH
<input type="checkbox"/> (BB) w/ BACK <input checked="" type="checkbox"/> (BLB) BACKLESS	<input type="checkbox"/> (FB) FLAT BAR <input checked="" type="checkbox"/> (RB) ROUND BAR	<input checked="" type="checkbox"/> ARMREST 2 <input type="checkbox"/> w/o ARMREST	<input type="checkbox"/> 4Ft <input type="checkbox"/> 6Ft <input checked="" type="checkbox"/> 8Ft	<input type="checkbox"/> (E) EMBEDDED <input type="checkbox"/> (F) SURFACE FLANGE <input checked="" type="checkbox"/> (FS) FREE STANDING	<input type="checkbox"/> (BLK) BLACK <input type="checkbox"/> (HG) HAND BRUSHED GREEN <input type="checkbox"/> (BRZ) BRONZE <input type="checkbox"/> (HR) HAND BRUSHED GRAY <input type="checkbox"/> (GRN) GREEN <input type="checkbox"/> CUSTOM _____

Catalog Name: N-CC-BLB-RB-ARM2 Date: 02.15.18
 Revision History: N/A Revision #: 0
 Niland Approval: Luis M. Gomez Customer Approval: _____ Page: 1 of 1

Niland Company

NILAND COMPANY • PH: (915) 779-1405 • FAX: (915) 779-3618 • E-MAIL: INFO@NILANDCO.COM
 320 N. Clark El Paso, Tx 79905 • PH: 800-648-9013 • FAX: 888-779-3085 • WEB PAGE: HTTP://www.nilandco.com