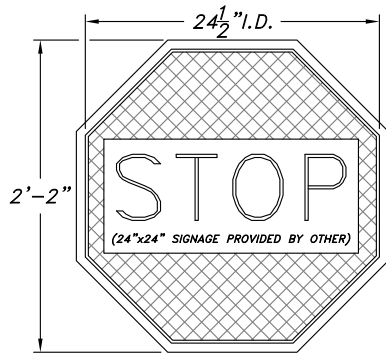


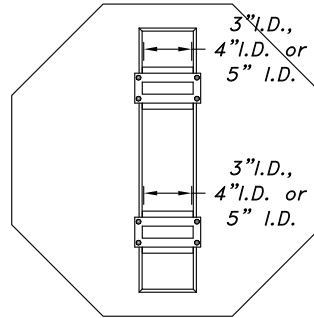
# STREET SIGN SERIES

## POLE MOUNTED

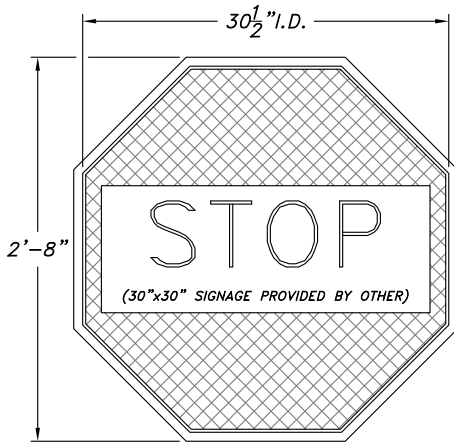


FRONT VIEW

PM-STOP-24

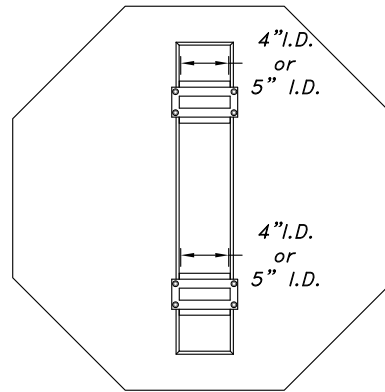


BACK VIEW

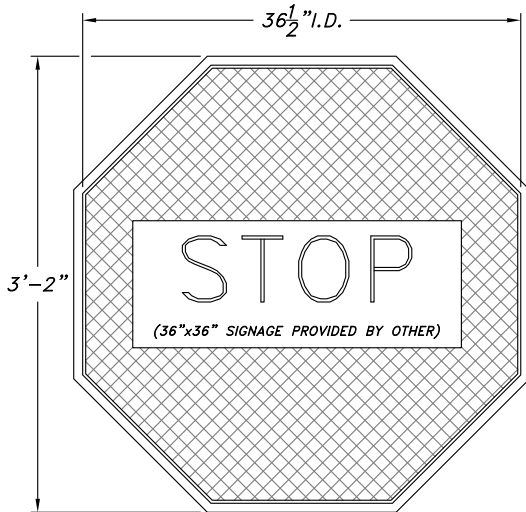


FRONT VIEW

PM-STOP-30

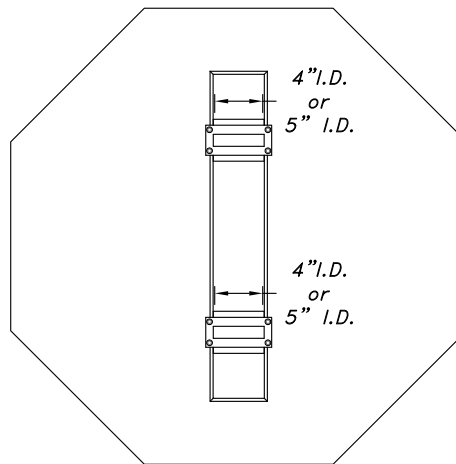


BACK VIEW



FRONT VIEW

PM-STOP-36



BACK VIEW

SCALE: 3/4" = 1'-0"

POLE DIA.	BACKER SIZE	COLOR OF POWDER COAT FINISH	
<input type="checkbox"/> 3" DIA. <input type="checkbox"/> 4" DIA. <input type="checkbox"/> 5" DIA.	<input type="checkbox"/> 24" <input type="checkbox"/> 30" <input type="checkbox"/> 36"	<input type="checkbox"/> (BLK) BLACK <input type="checkbox"/> (BRZ) BRONZE <input type="checkbox"/> (GRN) GREEN	<input type="checkbox"/> (HG) HAND BRUSHED GREEN <input type="checkbox"/> (HR) HAND BRUSHED GRAY <input type="checkbox"/> CUSTOM _____

Catalog Name: PM-STOP- \_\_\_\_\_ Date: 02.15.18  
 Revision History: N/A \_\_\_\_\_ Revision #: 0  
 \_\_\_\_\_  
 \_\_\_\_\_  
 Niland Approval: Luis M. Gomez Customer Approval: \_\_\_\_\_ Page: 5 of 5

# Niland Company

NILAND COMPANY • PH: (915) 779-1405 • FAX: (915) 779-3618 • E-MAIL: INFO@NILANDCO.COM  
 320 N. Clark El Paso, Tx 79905 • PH: 800-648-9013 • FAX: 888-779-3065 • WEB PAGE: HTTP://www.nilandco.com