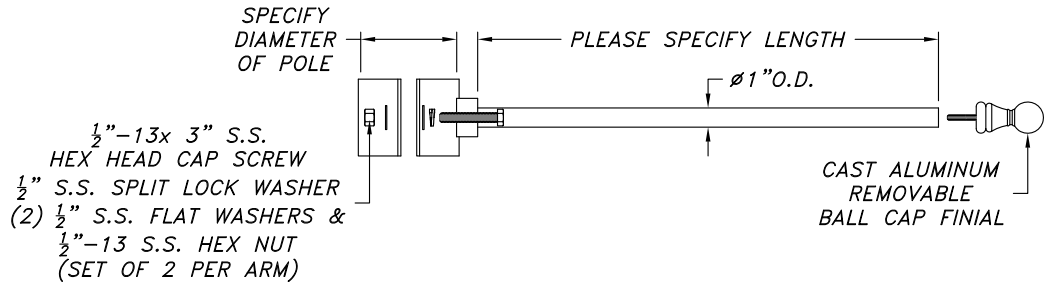
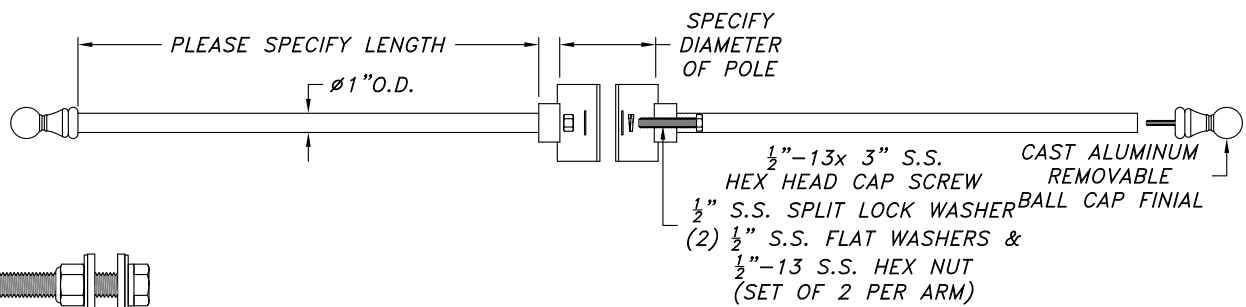


BANNER ARM SERIES

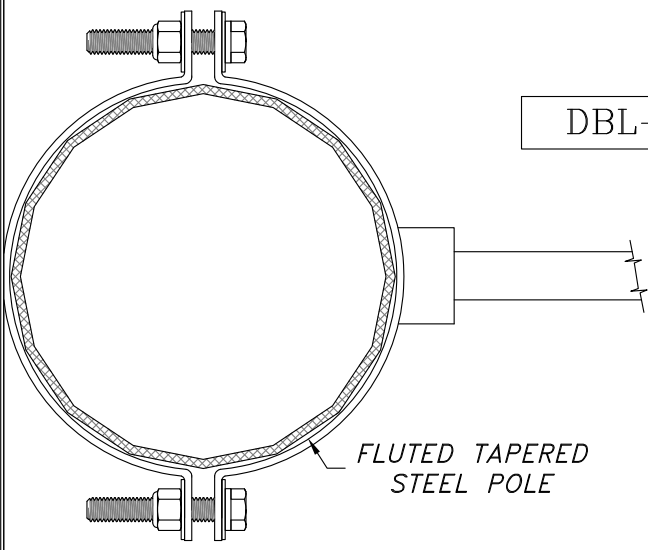
ADJ-BAN (STEEL)



ADJ-BAN



DBL-ADJ-BAN



POLE SECTION

SCALE: NTS

MAX. WEIGHT=25LBS

ARMS <input type="checkbox"/> SINGLE <input type="checkbox"/> DOUBLE	MOUNTING OPTIONS <input type="checkbox"/> CLAMP ON <input checked="" type="checkbox"/> (ADJ) ADJUSTABLE <input type="checkbox"/> (BO) BOLT ON <input type="checkbox"/> (BW) BREAKAWAY	ARM LENGTH <input type="checkbox"/> 12" <input type="checkbox"/> 18" <input type="checkbox"/> 24" <input type="checkbox"/> 36" <input type="checkbox"/> _____	COLOR OF POWDER COAT FINISH <input type="checkbox"/> (BLK) BLACK <input type="checkbox"/> (BRZ) BRONZE <input type="checkbox"/> (GRN) GREEN <input type="checkbox"/> (HG) HAND BRUSHED GREEN <input type="checkbox"/> (HR) HAND BRUSHED GRAY <input type="checkbox"/> CUSTOM _____
---	--	---	---

Catalog Name: ADJ-BAN Date: 02.15.18
 Revision History: N/A Revision #: 0
 Niland Approval: Luis M. Gomez Customer Approval: _____ Page: 5 of 5



Niland Company

NILAND COMPANY • PH: (915) 779-1405 • FAX: (915) 779-3618 • E-MAIL: INFO@NILANDCO.COM
 320 N. Clark El Paso, Tx 79905 • PH: 800-648-9013 • FAX: 888-779-3065 • WEB PAGE: HTTP://www.nilandco.com