



MISSION

FAMILY OF PRODUCTS



Niland
COMPANY

OUTDOOR LIGHTING SPECIALISTS SINCE 1972

320 Clark Dr. | El Paso, TX 79951

Phone: (915) 779-1405

Toll Free: (800) 648-9013

Fax: (915) 779-3618

Toll Free: (888) 779-3065

email: info@nilandco.com

www.nilandco.com

Mission Family

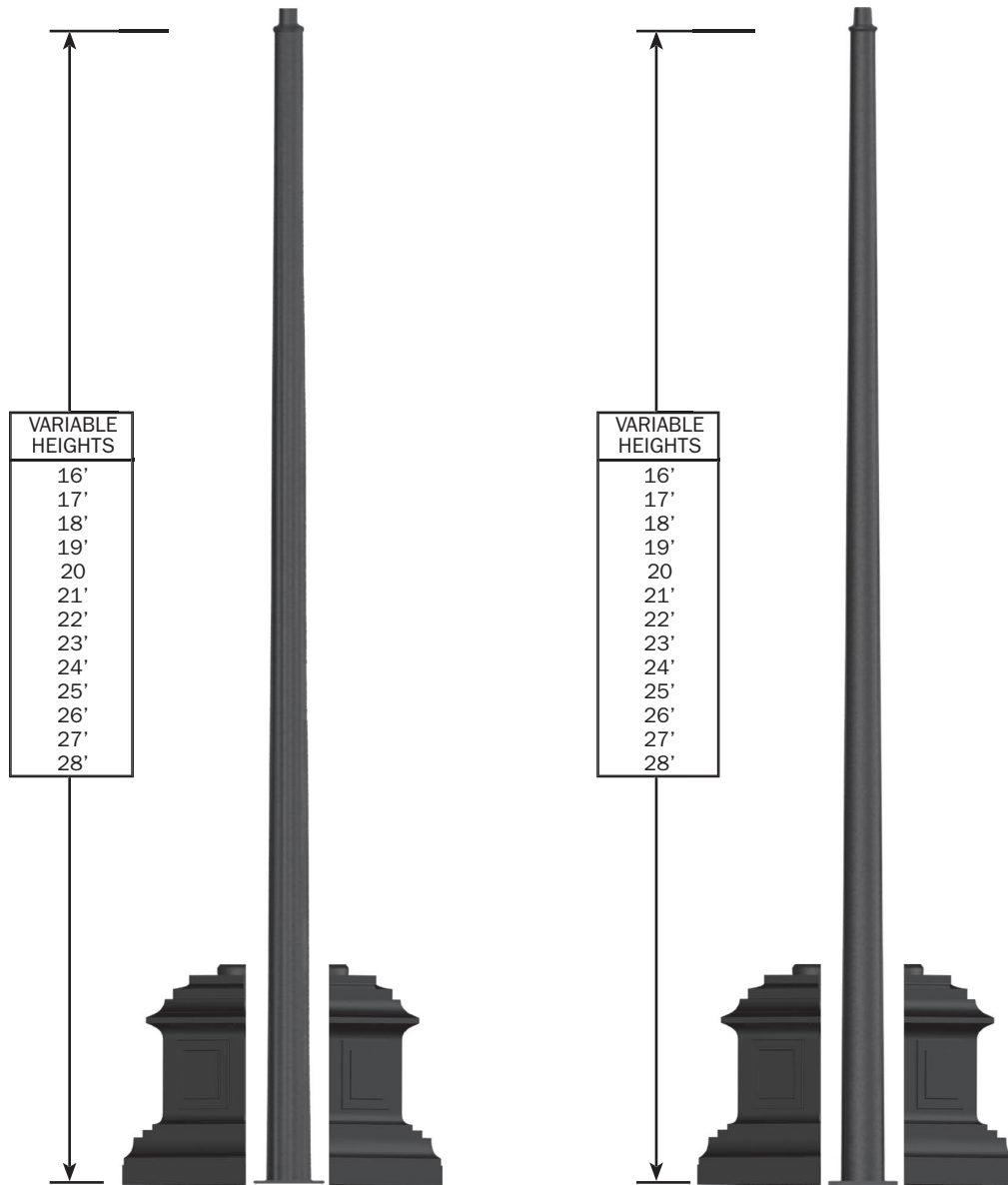
Niland Company poles are designed with maximum strength resistance to extreme wind loads but also functions with a wholesome selection of arms and luminaires. No matter the height, eight or twenty-eight feet, each pole is manufactured to the highest structural integrity.

Features:

- ~ 5" deep fluted steel or aluminum shaft circumferentially welded around the inside of the base for **uncompromised structural integrity**.
- ~ Exterior transition ring to cast into the top of the base welded and ground smooth to mirror the design of shaft for **unitized construction**.
- ~ Optional **corporate branding** plate to customize anyone of your projects.
- ~ **Heavy cast anchorage plate**. Four(4) L-shape anchor bolts to be used for anchoring. Optional direct burial.
- ~ **Historically accurate designs** with heavy cast iron or aluminum at a minimum wall thickness of .250".



roadway poles



| | | |
|---------------------|---------------------------------|---------------------------------|
| MODEL#: | MI-24 | MI-20 |
| BASE HEIGHT: | 32 INCHES | 32 INCHES |
| BASE DIA: | 24 INCHES - CLAMSHELL | 24 INCHES - CLAMSHELL |
| SHAFT DIA: | 7.5 - 4.5 INCHES TAPERED FLUTED | 7.5 - 4.5 INCHES TAPERED SMOOTH |
| MATERIAL: | STEEL/CAST IRON | STEEL/CAST IRON |

Pole Heights Variable Up to 28 Feet For Roadway Usage.

Shaft Options

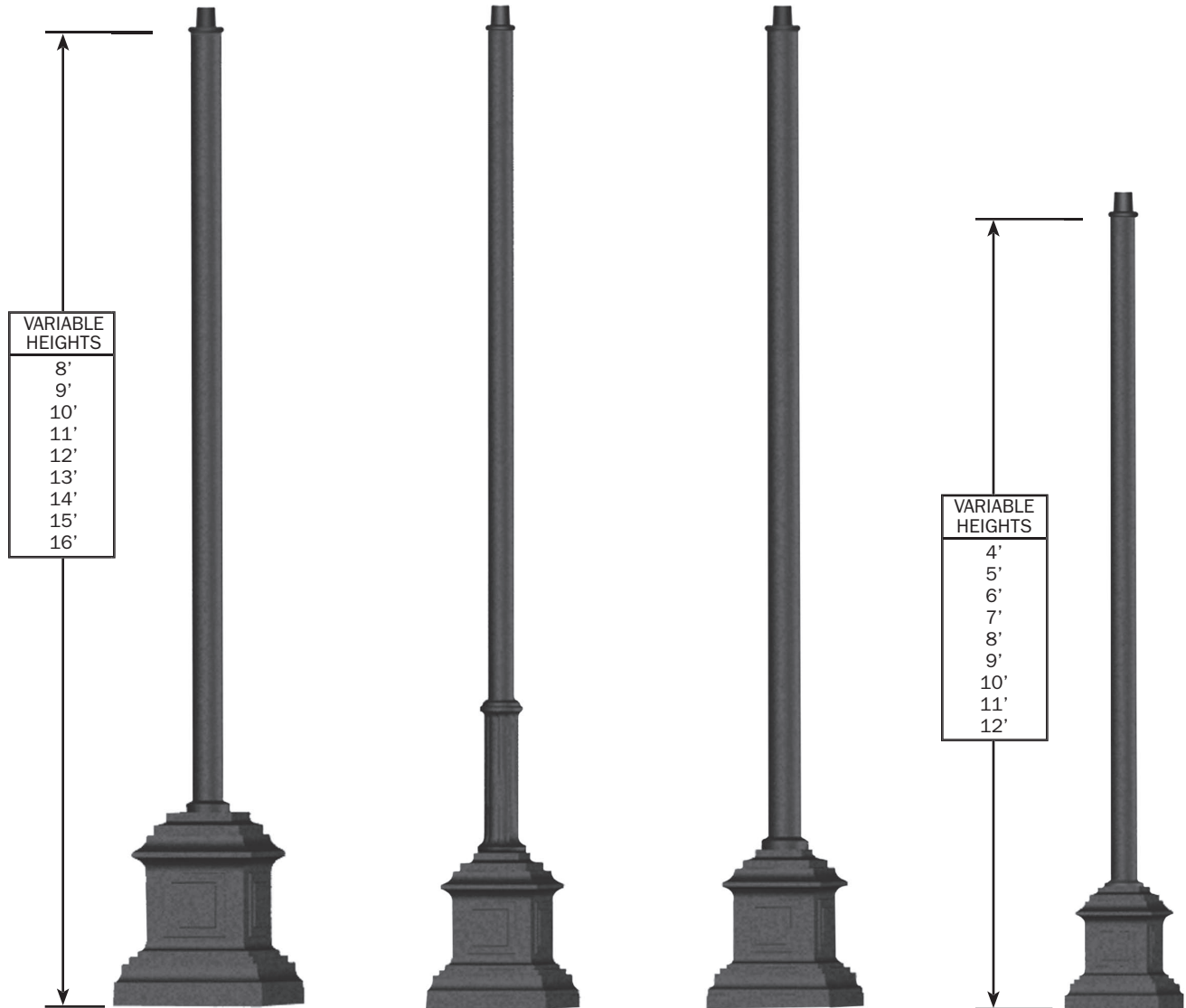
FLUTED SMOOTH TAPERED

All roadway shafts are tapered steel with 7.5 inch diameter from bottom to 4.5 inch diameter at top and clamshell base.

uncompromised

All bases are Cast Iron with minimum wall thickness of .1875 inch. Base casting has an internal sleeve of up to 25 inches deep. Shaft will be seated into the base sleeve and circumferentially welded around the inside of the base for uncompromised structural intergity. All exterior welds ground smooth.

pedestrian poles



| MODEL#: | GMI-24 | MMI-17 | MI-18 | MMI-14 |
|---------------------|---------------|---------------|---------------|---------------|
| BASE HEIGHT: | 32 INCHES | 45 INCHES | 24 INCHES | 18 INCHES |
| BASE DIA: | 24 INCHES | 18 INCHES | 18 INCHES | 14 INCHES |
| SHAFT DIA: | 5 INCHES | 4 INCHES | 5 INCHES | 4 INCHES |
| MATERIAL: | CAST ALUMINUM | CAST ALUMINUM | CAST ALUMINUM | CAST ALUMINUM |

Pole Heights Variable Up to 16 Feet For Pedestrian Usage.

Shaft Options

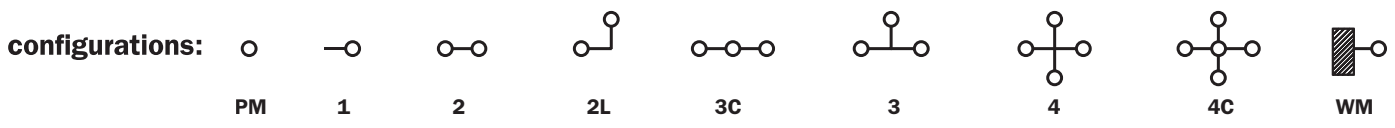
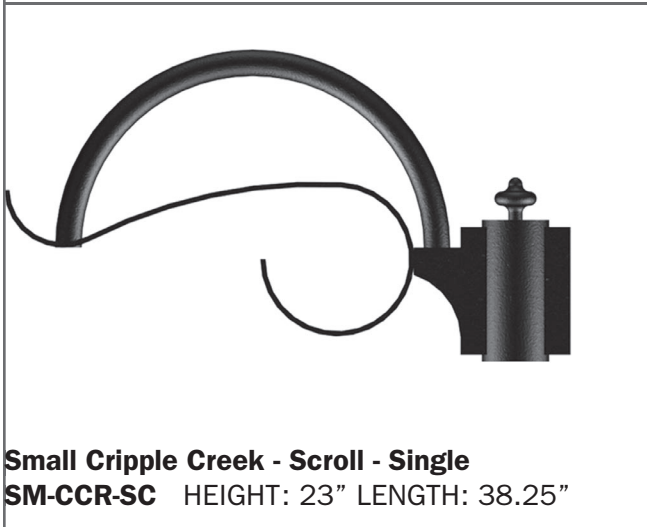
FLUTED SMOOTH TAPERED

All pedestrian shafts are 4 inch or 5 inch diameters. Tapered shafts are 6 inch diameter from bottom to 3 inch diameter at top.

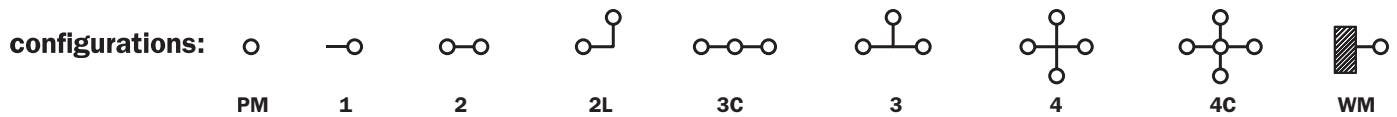
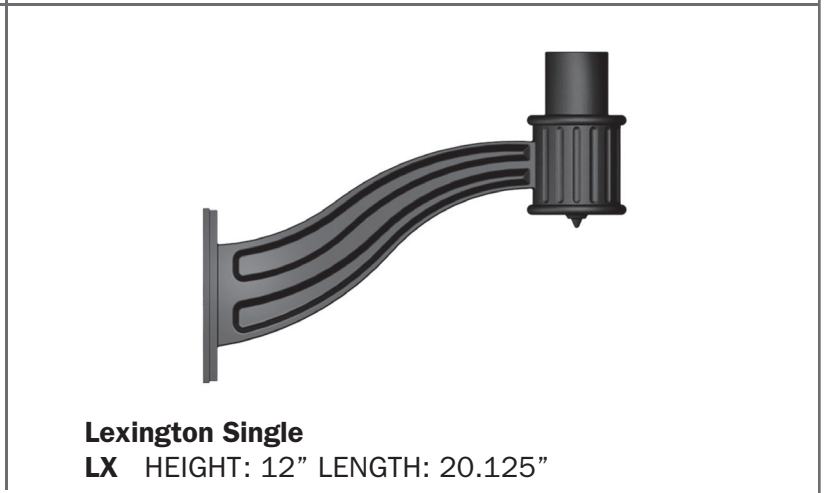
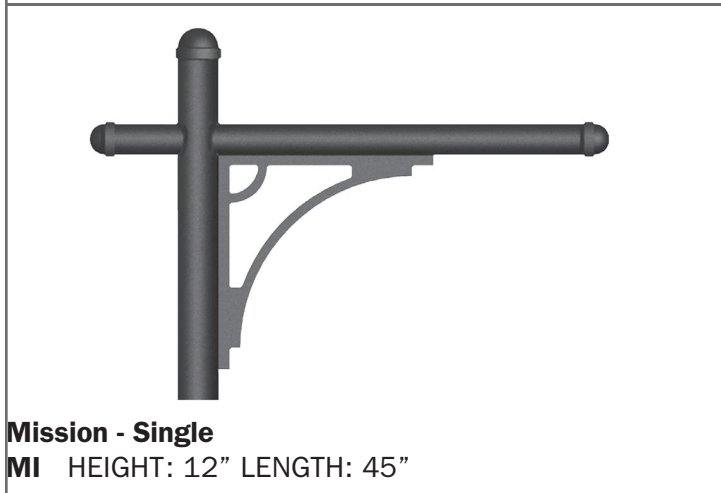
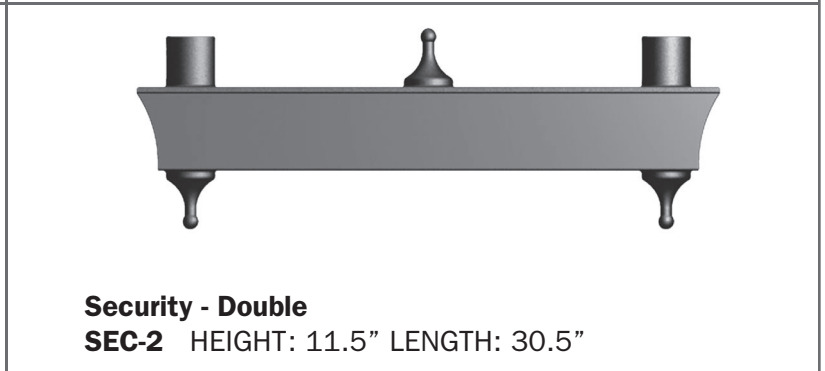
uncompromised

All bases are Cast Aluminum with minimum wall thickness of .250 inch. Base casting has an internal sleeve of up to 25 inches deep. Shaft will be seated into the base sleeve and circumferentially welded around the inside of the base for uncompromised structural integrity. All exterior welds ground smooth.

roadway arms



pedestrian arms



roadway luminaires



| | | | | | |
|--------------------|--------------|---------------|------------|---------------|----------------|
| MODEL#: | SZ-FLAT | BC-17-FLAT | BC-20-FLAT | RS-BC-26-FLAT | BA-PEN-HYD-HOR |
| WIDEST DIA: | 20 INCHES | 17 INCHES | 20 INCHES | 25.875 INCHES | 19.125 INCHES |
| HEIGHT: | 16.25 INCHES | 19.375 INCHES | 22 INCHES | 19.75 INCHES | 37.5 INCHES |

pedestrian luminaires



| | | | | | |
|--------------------|----------------|------------------|------------------|--------------|------------|
| MODEL#: | BA-CON-HYD-HOR | MS-LEX-424-CON-E | CR-LEX-424-CON-S | JT-HYD-HOR | AP-HYD-HOR |
| WIDEST DIA: | 19.125 INCHES | 19 INCHES | 19 INCHES | 23 INCHES | 24 INCHES |
| HEIGHT: | 33.5 INCHES | 42.125 INCHES | 40 INCHES | 41.25 INCHES | 36 INCHES |



Lamp Access

Quick disconnect terminals between the lamp and ballast allow for safe removal of the lamp. Tool-free quarter-turn of the Twist 'N' Seal base makes for easy relamping with a sealed optics chamber.



Remote Ballast

Ballast is easily accessed by removing the bird plate and the unitized ballast tray. Quick disconnect terminals are again used to ensure safe ballast maintenance.

ballast/lamp

| Model | Description |
|---------|---|
| 70HPS | 70 watt high pressure sodium; use a medium base, clear ED-17 lamp. |
| 100HPS | 100 watt high pressure sodium; use a medium base, clear ED-17 lamp. |
| 150HPS | 150 watt high pressure sodium; use a medium base, clear ED-17 lamp. |
| 50MH | 50 watt metal halide; use a medium base, clear ED-17 lamp. |
| 70MH | 70 watt metal halide; use medium base, clear ED-17 lamp. |
| 70MHT6 | 70 watt metal halide; use a G12 base, T-6 ceramic MH lamp. |
| 100MH | 100 watt metal halide; use medium base, clear ED-17 lamp. |
| 150MH | 150 watt metal halide; use medium base, clear ED-17 lamp. |
| 150MHT6 | 150 watt metal halide; use G12 base, T-6 ceramic MH lamp. |
| 175MH | 175 watt metal halide; use medium base, clear ED-17 lamp. |
| CF | Compact Fluorescent, electronic ballast; Use 4-pin 26,32 or 42 watt lamp. |

voltage

120 / 208 / 240
/ 277 / 347* / 480*

*Not available for QL lamp.

Multitap ballast also available.

**Please specify wattage and voltage upon ordering.

Lamps (bulbs) not included in packages.

QL Induction Lamp 50,000 HOURS AVERAGE LIFE

55, 85 and 165 Watt Systems
Offering Electrodeless Technology with
a 50,000 Hours Rated Average Life!

Features:

- Ultra Long Life
- Crisp White Light
- No Color Shift
- High Reliability
- Operates in Hot & Cold Environments
- Low EMI
- High Lumen Output



With QL Induction Lighting,
the grass IS greener!

High Power LED Units OVER 100,000 HOURS AVERAGE LIFE

**Retrofits for Existing Fixtures
or As A Complete Unit**

Features:

- Increased Visual Acuity
- Minimal Energy Consumption
- Dark Sky Friendly
- Decreased Maintenance
- Instant "On"
- Wireless Access and Dimming Capabilities
- 40ft Maximum Mounting Height
- Lighting Detection System

Without the use of harmful mercury
that traditional HID lamps use,
the grass is not only greener, **it's growing!**

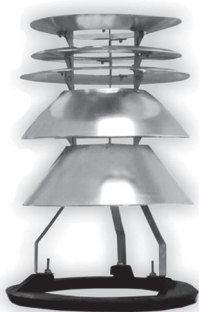


light distribution options



Horizontal Hydro-Formed Reflector (HYD-HOR)

Type III hydro-formed reflector shield. Full cut-off optics with Twist 'N' Seal mogul base. Dark Sky compliant with fully sealed reflector housing.



Louver Reflector (LOUVER)

Spun aluminum with mirror finish. Assists in reflecting light downward.



Borosilicate Refractor (BOR)

Glass with high resistance to intense amounts of heat for long periods of time. Type III or V light distribution.

photometric data - BA-CON-HYD-HOR 150HPS

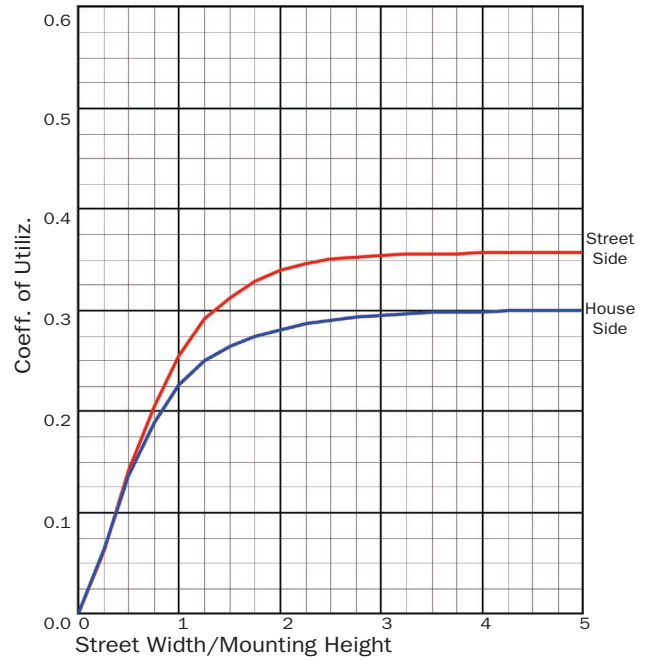
The values below are initial footcandles. Decrease values to justify light losses due to voltage, temperature and atmospheric variations which may affect light output. All testing performed by a certified independent laboratory. Photometry is available in IES formatted files on CD-ROM and website at www.nilandco.com or call your local representative.



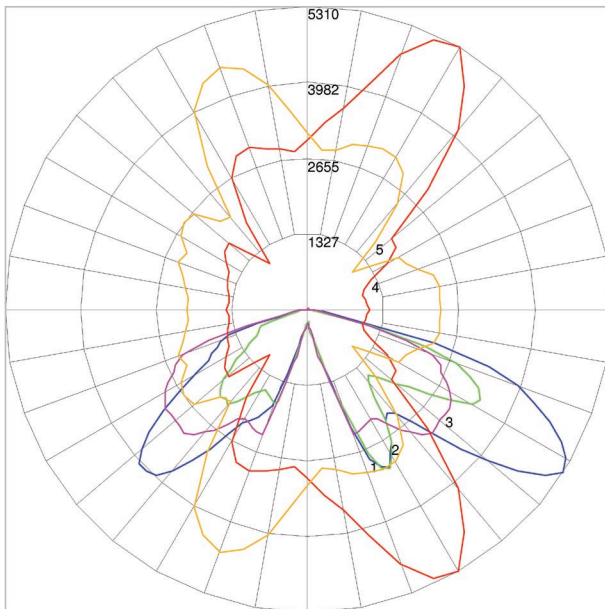
FLUX DISTRIBUTION

| | Lumens | Percent Of Lamp |
|----------------------|----------------|-----------------|
| Downward Street Side | 5729.6 | 35.8 |
| Downward House Side | 4806.0 | 30.0 |
| Downward Total | 10535.6 | 65.8 |
| Upward Street Side | 7.7 | 0.0 |
| Upward House Side | 10.5 | 0.1 |
| Upward Total | 18.2 | 0.1 |
| Total Flux | 10553.8 | 66.0 |

COEFFICIENTS OF UTILIZATION

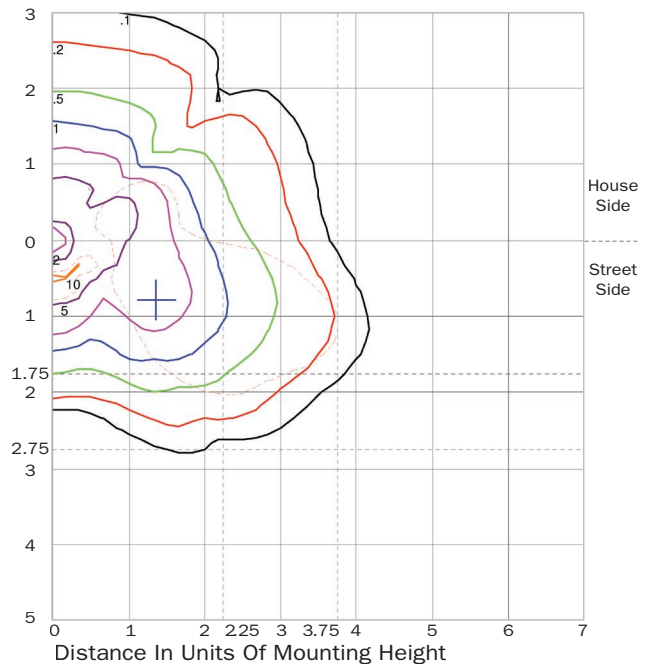


POLAR GRAPH



Maximum Candela = 5309.91
 Located at Horizontal Angle = 60, Vertical Angle = 57.5
 #1 - Vertical Plane Through Horizontal Angles (60-240) (Through Max. Cd.)
 #2 - Vertical Plane Through Horizontal Angles (45-225)
 #3 - Vertical Plane Through Horizontal Angles (90-270)
 #4 - Horizontal Cone Through Vertical Angle (57.5) (Through Max. Cd.)
 #5 - Horizontal Cone Through Vertical Angle (45)

ISO FOOTCANDLE LINES OF HORIZONTAL ILLUMINANCE



Values Based On 15 Foot Mounting Height

1/2 Maximum Candela Trace Shown As Dashed Curve

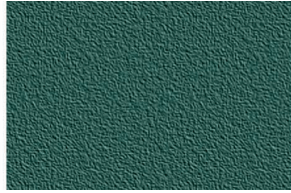
(+) = Maximum Candela Point

Photometric data containing additional wattages and luminaires are available online at <http://www.nilandco.com>.

finish options



Textured
Forest Green (TG)



Textured
Playground Green (TP)



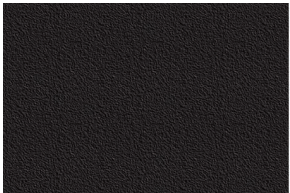
Textured
El Paso Green (TE)



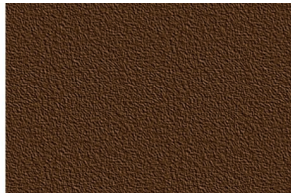
Gloss
Green (GG)



Gloss
Black Green (BG)



Textured
Black (TB)



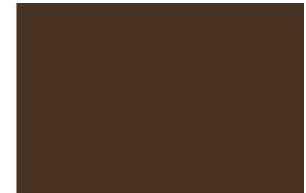
Mineral
Bronze (MR)



Hand Brushed
Verdi Gris (VG)



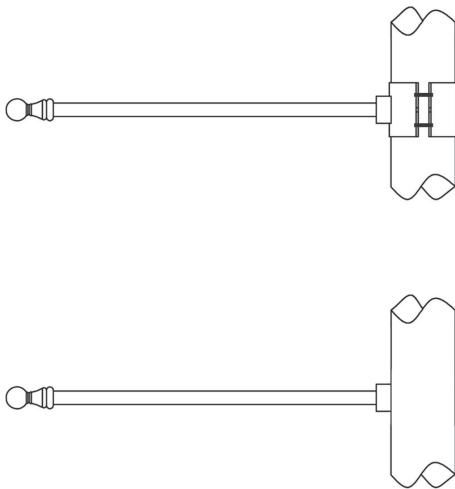
Gloss
Black (GB)



Gloss
Walnut (GW)

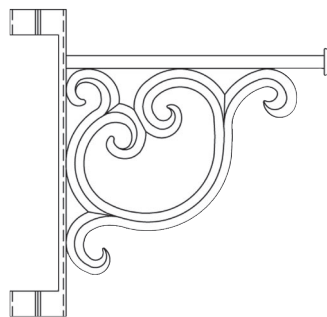
All finishes above are standard and offered at no extra charge.
Custom colors: please provide RAL number or sample chip.

accessories



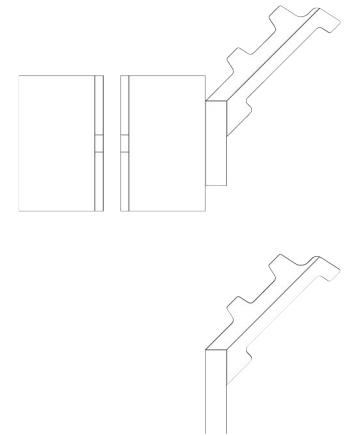
Banner Arms (BAN)

All banner arms fabricated with 24-inch rounded aluminum shaft at 1-inch diameter. Clamped around diameter of 4 or 5 inch pole. Double banner arms also available.



Planter Arms (PA)

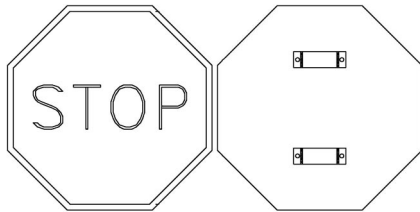
All planter arms fabricated with aluminum at 28 inch height and 24 inch length. Clamped around diameter of 4 inch or 5 inch pole. Double planter arms also available.



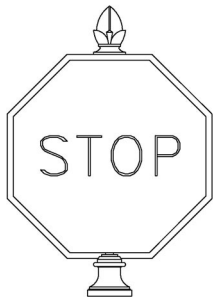
Flag Pole Holder (FLAG)

Holder are available as clamp or bolt mount for 4 inch or 5 inch poles. Overall height is 4 inches and reach is 3 inches.

sign backers



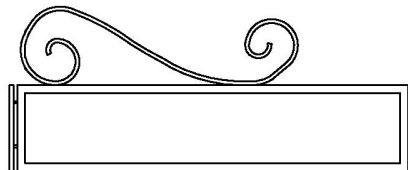
POLE MOUNT: FRONT BACK



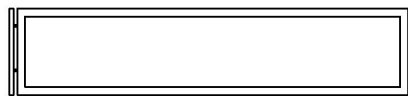
TOP MOUNT: FRONT

Stop Sign Backer (STOP)

Stop Signs available in 24 inch or 30 inch diameter. Fabricated in 356 cast aluminum with a thickness of .1875 inch and .375 inch offset lip. Can be clamped around 4 inch or 5 inch diameter pole. Bolt and top mount also available. Please specify mounting height upon ordering.



PAD-24-SQ-SC

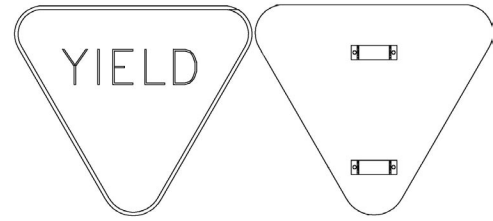


PAD-24-SQ

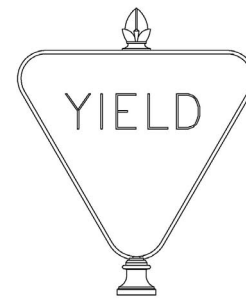
24 Inch Square Paddle Sign Backer (PAD-24-SQ)

Square Street Sign Paddles available in 24 inch length by 4.5 inch height. Fabricated in 356 cast aluminum with a thickness of .1875 inch and .375 inch offset lip. Can be clamped around 4 inch or 5 inch diameter pole. Bolt mount also available. Please specify mounting height upon ordering. Optional decorative scroll available.

All signage does NOT include dacals.
Please specify heighth and width when ordering custom sizes.



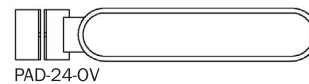
POLE MOUNT: FRONT BACK



TOP MOUNT: FRONT

Yield Sign Backer (YIELD)

Yield Signs available in 28 inch or 30 inch height. Fabricated in 356 cast aluminum with a thickness of .1875 inch and .375 inch offset lip. Can be clamped around 4 inch or 5 inch diameter pole. Bolt and top mount also available. Please specify mounting height upon ordering.



PAD-24-OV



PAD-24-OV-FINIAL



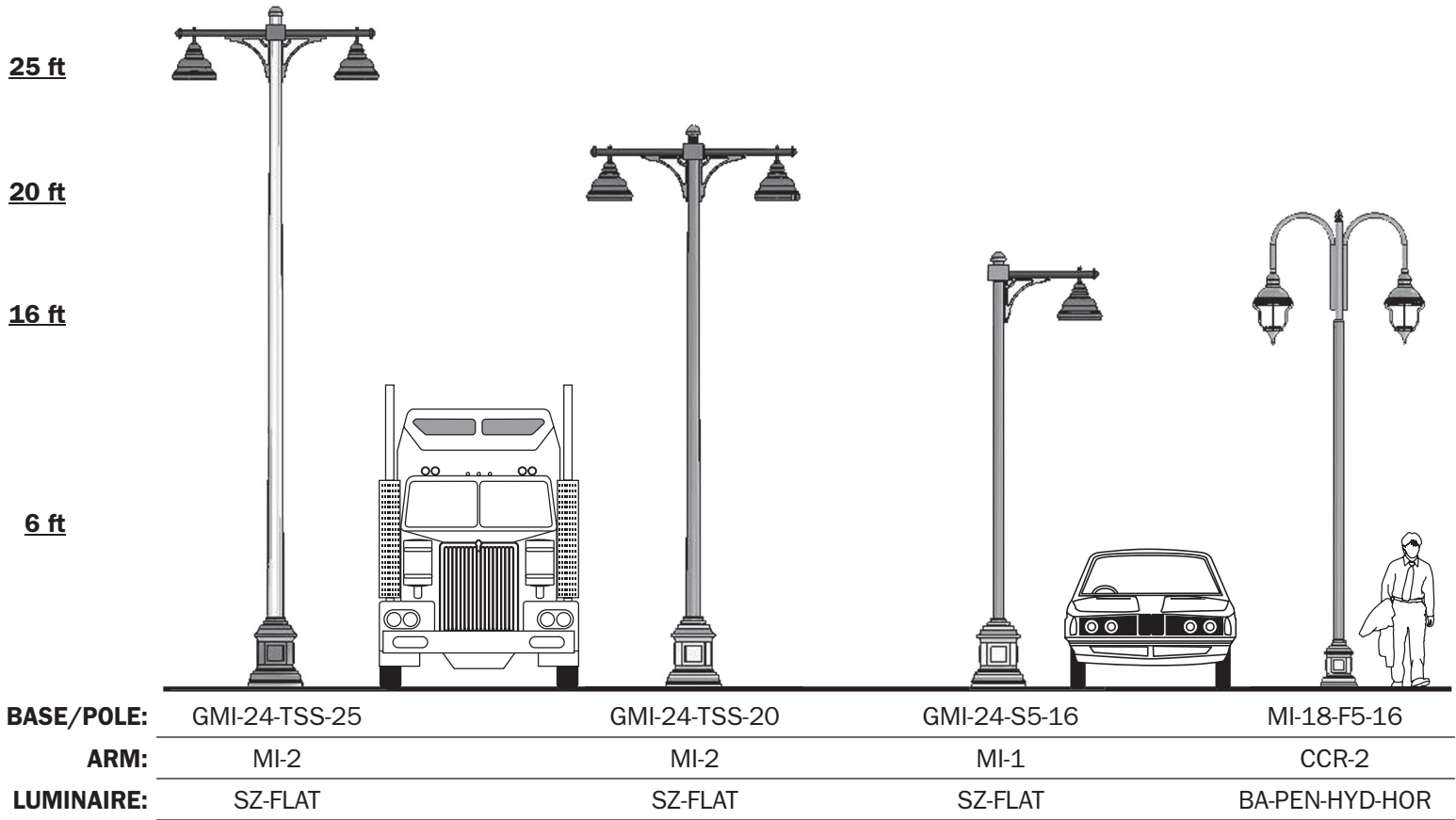
PAD-36-OV

24 Inch Oval Paddle Sign Backer (PAD-24-OV or PAD-36-OV)

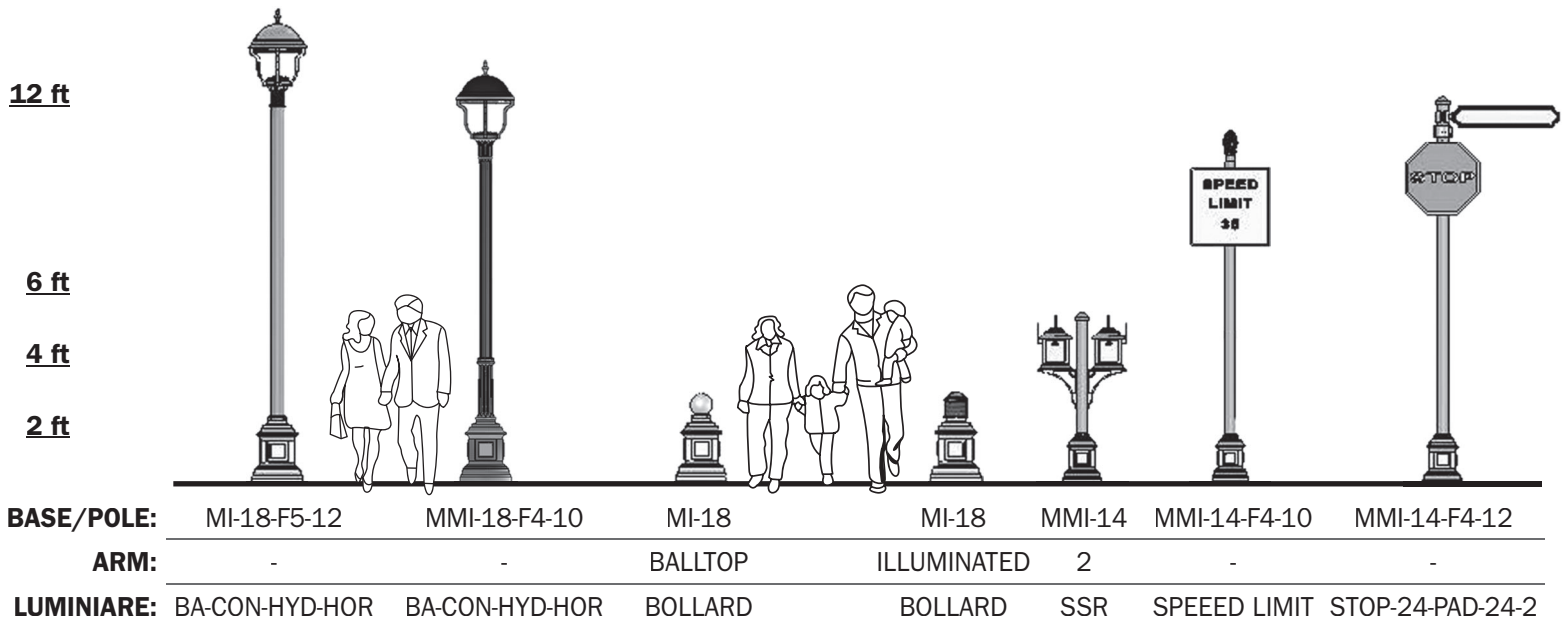
Oval Street Sign Paddles available in 24 inch length by 4.5 inch height or 36 inch length by 6 inch height. Fabricated in 356 cast aluminum with a thickness of .1875 inch and .375 inch offset lip. Can be clamped around 4 inch or 5 inch diameter pole. Bolt mount also available. Please specify mounting height upon ordering. Optional decorative finial available.

Mission Family

scaled view: roadway



scaled view: pedestrian



ordering guide

Example: MI-18 - F5 - 14 - DV - 2 - BA-CON - HYD-HOR - MH - 240 - 100 - TB - BAN-1
 (A) (B) (C) (D) (E) (F) (G) (H) (I) (J) (K) (L)

(A)BASE TYPE:

MMI-12 = Mini Mission with 12" base dia.
 MI-18 = Mission with 18" base dia.
 MMI-18 = Modified Mission with 18" base dia.
 GMI-24 = Grand Mission with 24" base dia.

(B)POLE/SHAFT TYPE:

F4 = Fluted 4" dia.
 F5 = Fluted 5" dia.
 TFS = Tapered Fluted Steel*
 S4 = Smooth 4" dia.
 S5 = Smooth 5" dia.
 TSS = Tapered Smooth Steel*

*Roadway Only.

(C)HEIGHT:

Pedestrian
 8 = 8Ft
 9 = 9Ft
 10 = 10Ft
 11 = 11Ft
 12 = 12Ft
 UP TO 16Ft
 Roadway
 16 = 16Ft
 17 = 17Ft
 18 = 18Ft
 19 = 19Ft
 20 = 20Ft
 UP TO 28Ft

(D)ARM TYPE:

MC = Manchester
 SM-CCR-SC = Small Cripple Creek with Scroll
 MI = Mission
 LX = Lexington
 SEC = Denver
 CCR = Cripple Creek
 CCR-SC = Cripple Creek with Scroll

(E)NUMBER OF ARMS:

UP TO 4 ARMS

(F)FIXTURE TYPE:

(following luminaires come stock with type III hydro-formed reflector)

SZ-FLAT = Santa Cruz Flat
 BC-20-FLAT = Boston Common 20" Flat
 RS-BC-26-FLAT = Residency 26" Flat
 BA-PEN-HYD-HOR = Barcelona Pendent Mount
 BA-CON-HYD-HOR = Barcelona Standard Finial
 JT-HYD-HOR = Jamestown Full Cut Off
 AP-HYD-HOR = Aspen Full Cut Off

(following luminaires come stock with refractive lexilite lens)

MS-LEX-424-CON-E = Mesilla 424 Lexilite Lens
 CR-LEX-424-CON-S = Carolina 424 Lexilite Lens

(G)REFLECTOR/REFRACTOR TYPE:

HYD-HOR = Hydroformed Horizontal Reflector
 LOUVER = Louvers Reflector
 BOR = Borosilicate Glass Refractor

(H)LAMP TYPE:

MH = Metal Halide
 HPS = High Pressure Sodium
 CF = Compact Fluorescent
 QL = QL Induction Lamp

(I)VOLTAGE:

120 = 120 Volts
 208 = 200 Volts
 240 = 240 Volts
 277 = 277 Volts
 347* = 347 Volts*
 480* = 480 Volts*
 MT = Multitap (120,208,240,277)

*Not available for QL lamp.

(J)WATTAGE:

Pease reference ballast chart.

(K)FINISH:

TB = Textured Black
 TE = Textured El Paso Green
 TG = Textured Forest Green
 TP = Textured Playground Green
 MR = Mineral Bronze
 GB = Gloss Black
 GG = Gloss Green
 BG = Black Green
 GW = Gloss Walnut
 VG = Handbrushed Verdi Gris
 CUSTOM = Specify RAL # or Provide Sample

(L)ACCESSORIES:

BAN-1 = Single Banner Arm
 BAN-2 = Double Banner Arm
 PA-1 = Single Planter Arm
 PA-2 = Double Planter Arm
 FLAG = Flag Pole Holder
 STOP-TM = Top Mount Stop Sign Backer
 STOP-PM = Pole Mount Stop Sign Backer
 YIELD-TM = Top Mount Yield Sign Backer
 YIELD-PM = Pole Mount Yield Sign Backer
 PAD-24-SQ = 24" Square Paddle Sign Backer
 PAD-24-SQ-SC = 24" Square Paddle Sign Backer with Scroll
 PAD-24-OV = 24" Oval Paddle Sign Backer
 PAD-24-OV-FINIAL = 24" Oval Paddle Sign Backer with Standard Finial
 PAD-36-OV = 36" Oval Paddle Sign Backer



MISSION

FAMILY OF PRODUCTS

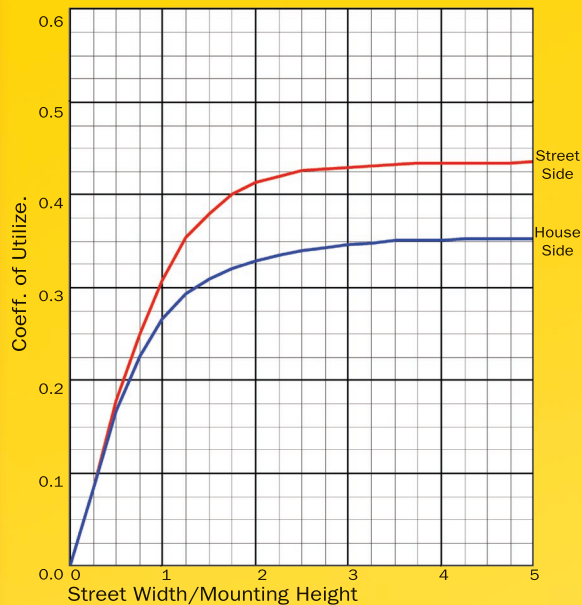
BC-17-FLAT: 175MH

CHARACTERISTICS

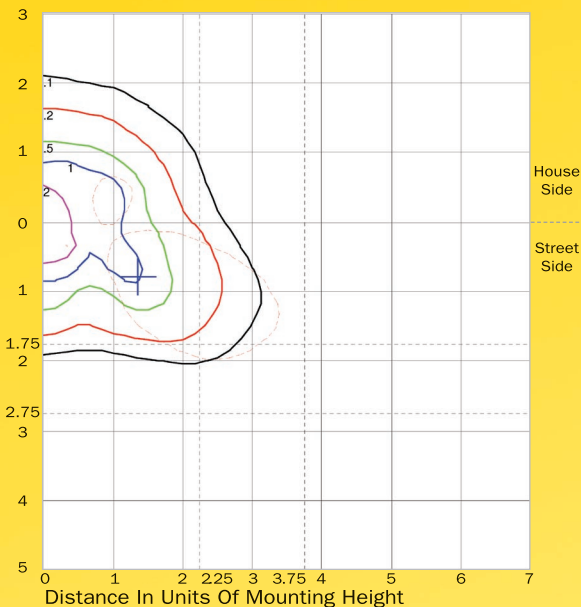
| | |
|--|-------------------------|
| IES Classification | Type III |
| Longitudinal Classification | Short |
| Cutoff Classification | Full Cutoff |
| Total Rated Lamp Lumens | 14000 |
| Maximum Candela | 6329.3 |
| Maximum Candela Angle | 60H 57.5V |
| Maximum Candela at 90 Degrees Vertical | 0 (0.00% Lamp Lms) |
| Maximum Candela at 80 Degrees Vertical | 776.59 (5.55% Lamp Lms) |
| Downward total Efficiency | 78.9% |



COEFFICIENTS OF UTILIZATION



ISO FOOTCANDLE LINE OF HORIZONTAL ILLUMINANCE



FLUX DISTRIBUTION

| | Lumens | Percent Of Lamp |
|----------------------|----------------|-----------------|
| Downward Street Side | 6102.8 | 43.6 |
| Downward House Side | 4945.6 | 35.3 |
| Downward Total | 11048.4 | 78.9 |
| Upward Street Side | 0.0 | 0.0 |
| Upward House Side | 0.0 | 0.0 |
| Upward Total | 0.0 | 0.0 |
| Total Flux | 11048.4 | 78.9 |

Values Based On 30 Foot Mounting Height

1/2 Maximum Candela Trace Shown
As Dashed Curve

(+) = Maximum Candela Point



320 Clark Dr. | El Paso, TX 79951

Phone: (915) 779-1405

Toll Free: (800)648-9013

Fax: (915)779-3618

Toll Free: (888)779-3065

email: info@nilandco.com

www.nilandco.com