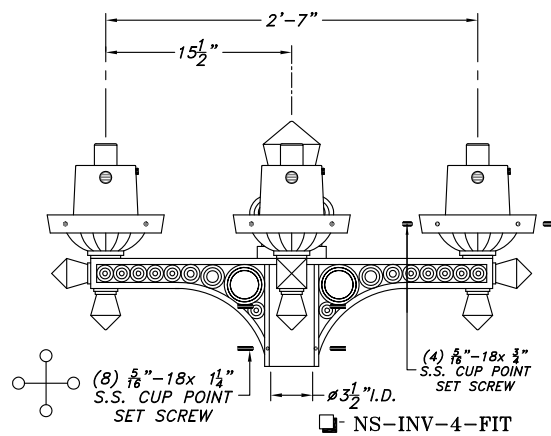
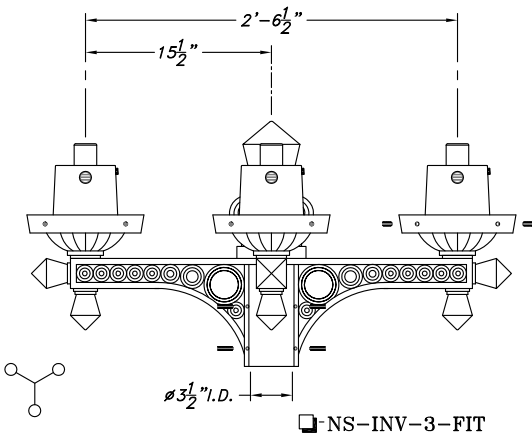
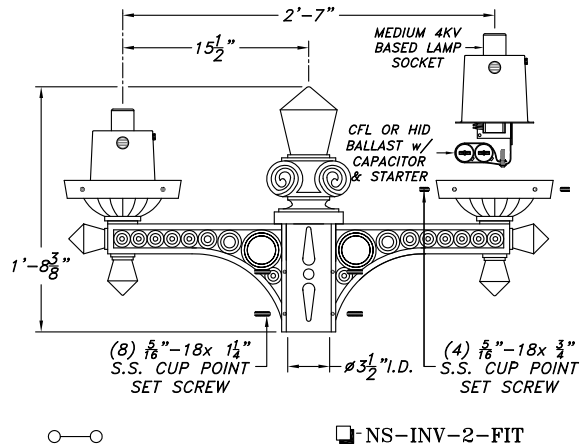
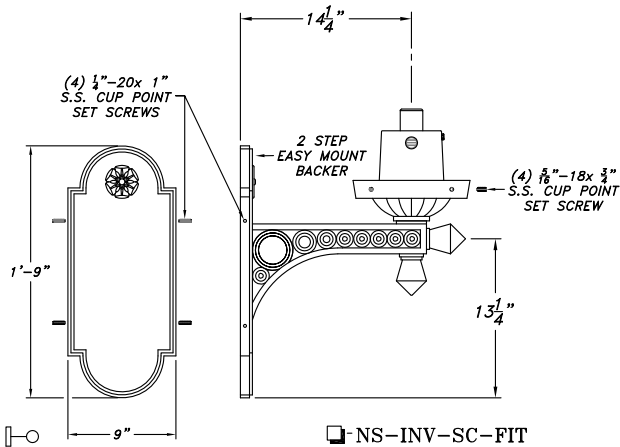


MAINSTREET SERIES

Inverted Arm w/ 8" Fitter



SCALE: 3/4" = 1'-0"



EXAMPLE

NS-INV-2-2014-PSMH-150-208-BLK

NS-INV-_____-FIT-_____-_____-_____-_____-_____-_____-
Series Arms Globe Ballast Wattage Voltage Color

ARM	GLOBES	GLOBE MATERIAL	BALLAST	WATTAGE	VOLTAGE	COLOR OF POWDER COAT FINISH
<input type="checkbox"/> SC <input type="checkbox"/> CENTER	<input type="checkbox"/> R-3018	<input type="checkbox"/> POLYETHYLENE	<input type="checkbox"/> INC	<input type="checkbox"/> 50w <input type="checkbox"/> 150w	<input type="checkbox"/> 120v	<input type="checkbox"/> (BLK) BLACK
<input type="checkbox"/> 2 <input type="checkbox"/> 2C	<input type="checkbox"/> A-2014	<input type="checkbox"/> POLYCARBONATE	<input type="checkbox"/> CFL	<input type="checkbox"/> 70w <input type="checkbox"/> 175w	<input type="checkbox"/> 208v	<input type="checkbox"/> (BRZ) BRONZE
<input type="checkbox"/> 3 <input type="checkbox"/> 3C	<input type="checkbox"/> A-5015	<input type="checkbox"/> FROSTED	<input type="checkbox"/> HPS	<input type="checkbox"/> 100w	<input type="checkbox"/> 240v	<input type="checkbox"/> (HR) HAND BRUSHED GRAY
<input type="checkbox"/> 4 <input type="checkbox"/> 4C		<input type="checkbox"/> WHITE	<input type="checkbox"/> PSMH		<input type="checkbox"/> 277v	<input type="checkbox"/> (GRN) GREEN
			<input type="checkbox"/> LED		<input type="checkbox"/> 480v	<input type="checkbox"/> CUSTOM _____
					MULTITAP 120v 240v 208v 277v PLEASE SPECIFY VOLTAGE	

ARM SPECIFICATION

ARM

The arm shall be core cast aluminum. Aluminum shall be certified as pure #356 alloy, free of any porosity, foreign materials or cosmetic fillers. Castings shall be uniform wall thickness with no warping or mold shifting. Minimum wall thickness shall be 3/16". Electrical wiring shall run through arm up and out through arm. Electrical components are mounted in the ballast canister. The ballast canister shall be mounted in the post top with three stainless steel screws. The optional refractor will be molded of borosilicate glass or an upgraded globe with external refractor designed for either a type III or type V light distribution pattern.

ELECTRICAL

All electrical components and materials shall be UL-recognized and wired by a certified UL technician. All Niland ballasts are high power factor rated for -30°C/-20°F starting. Medium and Mogul base sockets are 4 KV rated. The electrical assembly is prewired with quick disconnects for servicing. Fixture shall be UL certified for wet locations.

MOUNTING

Fixture shall be mounted to 3" O.D. x 6" H. tenon with 5/16"-18x 1 1/4" S.S. Allen Head Set Screws (8 @ 90°).

RELAMPING

The ballast is accessed by loosening 4 stainless steel screws around globe.

FINISH

Fixture finish shall consist of degreasing, phosphate acid etching with 140+ deionized water, rinsed, oven dry off and top coated with a thermoset TGIC super polyester powder coat finish designed not to chalk or fade for many years. All Niland Company powders must pass a minimum 3000-hour salt spray test for corrosion resistance.

CERTIFICATION

The Fixture shall be UL-Listed for wet location use, and all HID listings.

WARRANTY

Niland Company warrants to repair or replace, at our option, any equipment that fails due to defects in material or workmanship within one year from date of shipment. This warranty does not include failures as a result of improper installation, mishandling or misapplication. This guarantee is limited to repair or replacement only and does not include reimbursement for expense of installation, removal of equipment, transportation or any other expenses that may be incurred. Authorization must be obtained from Niland Company in El Paso, Texas before any material is returned.

Catalog Name: NS-_____ Date: 02.15.18

Revision History: N/A _____ Revision #: 0

Niland Approval: Luis M. Gomez Customer Approval: _____ Page: 3 of 3



Niland Company

NILAND COMPANY • PH: (915) 779-1405 • FAX: (915) 779-3618 • E-MAIL: INFO@NILANDCO.COM
320 N. Clark El Paso, Tx 79905 • PH: 800-648-9013 • FAX: 888-779-3065 • WEB PAGE: HTTP://www.nilandco.com