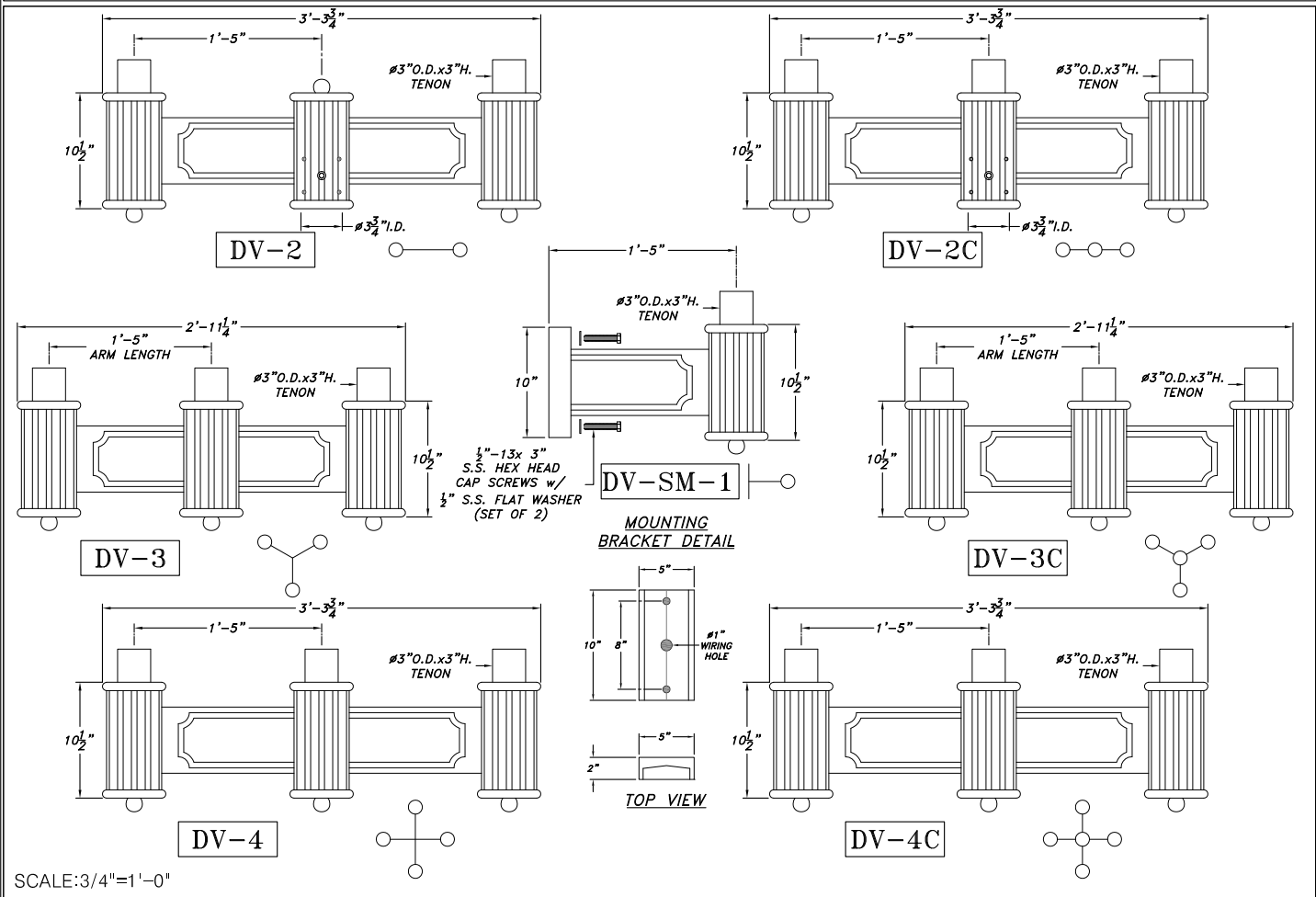


DENVER SERIES

DV-




EXAMPLE DV-2-BLK

DV- _____ - _____ - _____
 Series Mounting Arms Color

TENON MOUNT ARMS		SIDE MOUNT ARMS	COLOR OF POWDER COAT FINISH	
<input type="checkbox"/> DV-1	w/ CENTER MOUNT	<input type="checkbox"/> DV-SM-1	<input type="checkbox"/> (BLK) BLACK	<input type="checkbox"/> (HG) HAND BRUSHED GREEN
<input type="checkbox"/> DV-2		<input type="checkbox"/> DV-SM-2	<input type="checkbox"/> (BRZ) BRONZE	<input type="checkbox"/> (HR) HAND BRUSHED GRAY
<input type="checkbox"/> DV-3		<input type="checkbox"/> DV-SM-3	<input type="checkbox"/> (GRN) GREEN	<input type="checkbox"/> CUSTOM _____
<input type="checkbox"/> DV-4		<input type="checkbox"/> DV-SM-4		
		<input type="checkbox"/> DV-2C		
	<input type="checkbox"/> DV-3C			
	<input type="checkbox"/> DV-4C			

ARM SPECIFICATION

<p>ARM The arms shall be core cast aluminum. Aluminum shall be certified as pure #356 alloy, free of any porosity, foreign materials or cosmetic fillers. Castings shall be uniform wall thickness with no warping or mold shifting. Minimum wall thickness shall be 3/16". Electrical wiring shall run through arm up and out through the 3"O.D.x3"H tenon.</p> <p>ELECTRICAL All electrical components and materials shall be UL-recognized and wired by a certified UL technician. Arm shall be UL certified for wet locations.</p> <p>MOUNTING Fixture shall be mounted to 3 1/2"O.D.x5"H. tenon with S.S. Allen Head Set Screws (8 @ 90°)</p>	<p>FINISH Fixture finish shall consist of degreasing, phosphate acid etching with 140+ deionized water, rinsed, oven dry off and top coated with a thermoset TGIC super polyester powder coat finish designed not to chalk or fade for many years. All Niland Company powders must pass a minimum 3000-hour salt spray test for corrosion resistance.</p> <p>CERTIFICATION The Fixture shall be UL-Listed for wet location use, and all HID listings.</p> <p>WARRANTY Niland Company warrants to repair or replace, at our option, any equipment that fails due to defects in material or workmanship within one year from date of shipment. This warranty does not include failures as a result of improper installation, mishandling or misapplication. This guarantee is limited to repair or replacement only and does not include reimbursement for expense of installation, removal of equipment, transportation or any other expenses that may be incurred. Authorization must be obtained from Niland Company in El Paso, Texas before any material is returned.</p>
--	--

Catalog Name: DV- _____ Date: 02.15.18 Revision History: N/A _____ Revision #: 0 Niland Approval: Luis M. Gomez Customer Approval: _____ Page: 3 of 4	 <h1>Niland Company</h1> <p> NILAND COMPANY • PH: (915) 779-1405 • FAX: (915) 779-3618 • E-MAIL: INFO@NILANDCO.COM 320 N. Clark El Paso, Tx 79905 • PH: 800-648-9013 • FAX: 888-779-3065 • WEB PAGE: HTTP://www.nilandco.com </p>
---	---