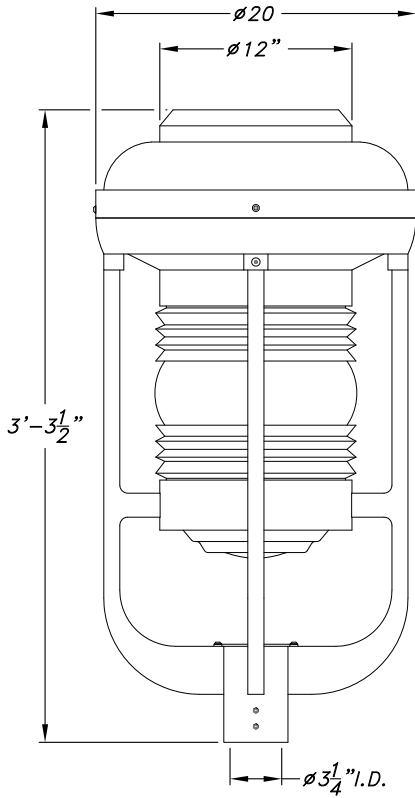


# OCEANA LED SERIES

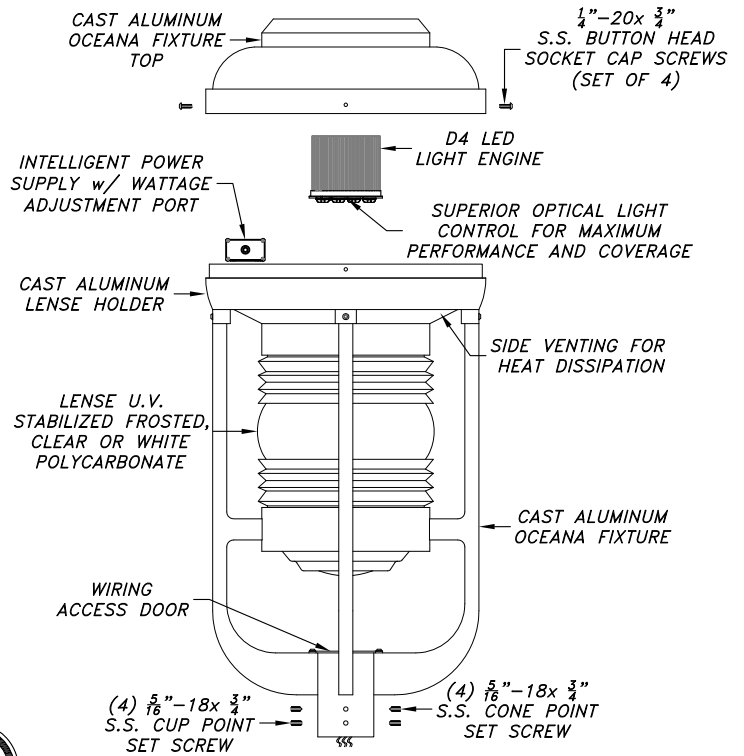
## OC-LED-D4

IP66 RATED  
COMPONENTS



SCALE: 1"=1'-0"

E.P.A.=3.49 SQ.FT.



**EXAMPLE**

OC-LED-5000-60-120/277-III-BLK

OC-LED- Series Kelvin Wattage Voltage Distribution Color

| GLOBE                            | KELVIN                        | MODEL# = WATTAGE = LUMENS         |                                   |                                   |                                   | VOLTAGE RANGE-AC | LIGHT DISTRIBUTION                | COLOR OF POWDER COAT FINISH |                         |              |                        |
|----------------------------------|-------------------------------|-----------------------------------|-----------------------------------|-----------------------------------|-----------------------------------|------------------|-----------------------------------|-----------------------------|-------------------------|--------------|------------------------|
|                                  |                               | #30=30W                           | #40=38W                           | #60=57W                           | #80=77w                           |                  |                                   | (BLK) BLACK                 | (HG) HAND BRUSHED GREEN | (BRZ) BRONZE | (HR) HAND BRUSHED GRAY |
| <input type="checkbox"/> FROSTED | <input type="checkbox"/> 2200 | <input type="checkbox"/> 3372Lmns | <input type="checkbox"/> 4196Lmns | <input type="checkbox"/> 6387Lmns | <input type="checkbox"/> 8017Lmns | 120/277v         | <input type="checkbox"/> TYPE III |                             |                         |              |                        |
| <input type="checkbox"/> CLEAR   | <input type="checkbox"/> 3000 | <input type="checkbox"/> 3853Lmns | <input type="checkbox"/> 4675Lmns | <input type="checkbox"/> 6464Lmns | <input type="checkbox"/> 8050Lmns |                  |                                   |                             |                         |              |                        |
| <input type="checkbox"/> WHITE   | <input type="checkbox"/> 4000 | <input type="checkbox"/> 4095Lmns | <input type="checkbox"/> 4969Lmns | <input type="checkbox"/> 6870Lmns | <input type="checkbox"/> 8556Lmns |                  |                                   |                             |                         |              |                        |
| <input type="checkbox"/> (MILKY) | <input type="checkbox"/> 5000 | <input type="checkbox"/> 4095Lmns | <input type="checkbox"/> 4969Lmns | <input type="checkbox"/> 6870Lmns | <input type="checkbox"/> 8556Lmns |                  |                                   |                             |                         |              |                        |

## LUMINAIRE SPECIFICATION

**HOUSING**

The post top shall be core cast aluminum. Aluminum shall be certified as pure #356 alloy, free of any porosity, foreign materials or cosmetic fillers. Castings shall be uniform wall thickness with no warping or mold shifting. Minimum wall thickness shall be 3/16". LED assembly unit shall be mounted in the post top with four stainless steel screws and a quick disconnect for easy removal. Heat vents at base of the lid increases thermal management and LED longevity.

**LED POWER SUPPLY**

All electrical components and materials shall be UL-recognized and wired by a certified UL technician. The electrical assembly is prewired with quick disconnects for servicing. Electrical components rated for 1 amp but only draws 300 millamps which adds to the units longevity. Input voltage 120-277v with 36kV surge suppression. All components are IP66 rated with a 1.0 PF rating. Service life up to 100,000 hours life at -40°C to +40°C Ambient, Operating Temperature. <20% Total Harmonic Distortion

**LED CIRCUIT BOARD**

LED's are available in 2200, 3000, 4000 & 5000 Kelvin with a Type III or Type V light distribution. Instant On/Off soft start. PF rating of 92% Solid State panel.

**MOUNTING**

Fixture shall be mounted to 3"O.D.x3"H, tenon with stainless steel allen head set screws (8 @ 90°)

**CERTIFICATION**

The fixture shall be UL Certified for wet location use. LED unit is DLC Listed with IP66 Components. Designed to UL 1598 & UL 1449 3rd Edition. UL Driver is installed. Complies with IEEE C62.41 and FCC Part 15 Class A.

**FINISH-AAMA-2604-5**

Fixture finish shall consist of degreasing, phosphate acid etching with 140+ deionized water, rinsed, oven dry off and top coated with a thermoset TGIC super polyester powder coat finish designed not to chalk or fade for many years. All Niland Company powders must pass a minimum 3000-hour salt spray test for corrosion resistance.

**WARRANTY**

Quick 60+ month warranty on LED module and electronic driver. Please contact manufacturer for more details.

**PHOTOMETRICS**

Complete photometric data for all fixtures is available in IES-formatted. A certified independent laboratory performs all testing. Call the Niland Company directly for more information.

Catalog Name: OC-LED-D4 Date: 03.22.19  
Revision History: N/A Revision #: 0

Niland Approval: Luis M. Gomez Customer Approval: \_\_\_\_\_ Page: 3 of 3



**OSRAM SYLVANIA** QUICK 60+  
Warranty On Parts

NILAND COMPANY • PH: (915) 779-1405 • FAX: (915) 779-3618 • E-MAIL: INFO@NILANDCO.COM  
320 N. Clark El Paso, Tx 79905 • PH: 800-648-9013 • FAX: 888-779-3065 • WEB PAGE: HTTP://www.nilandco.com