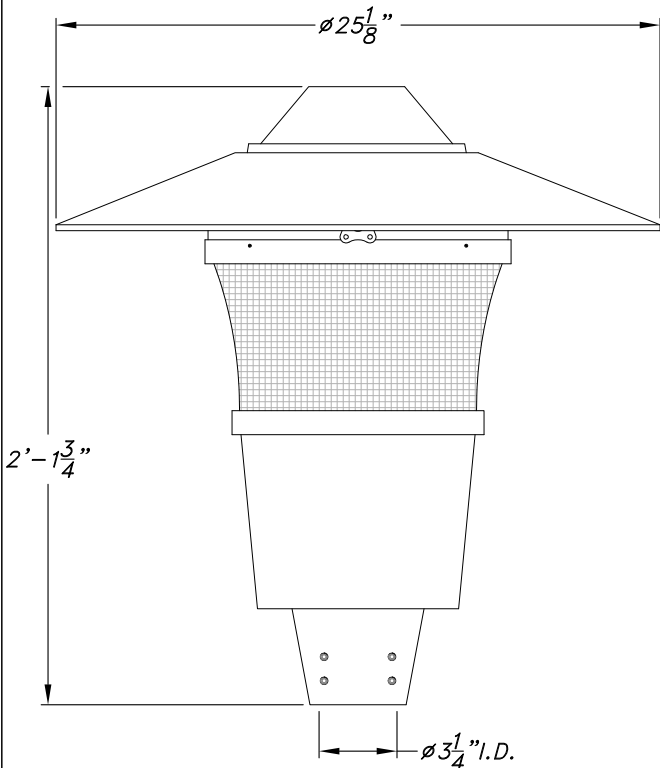


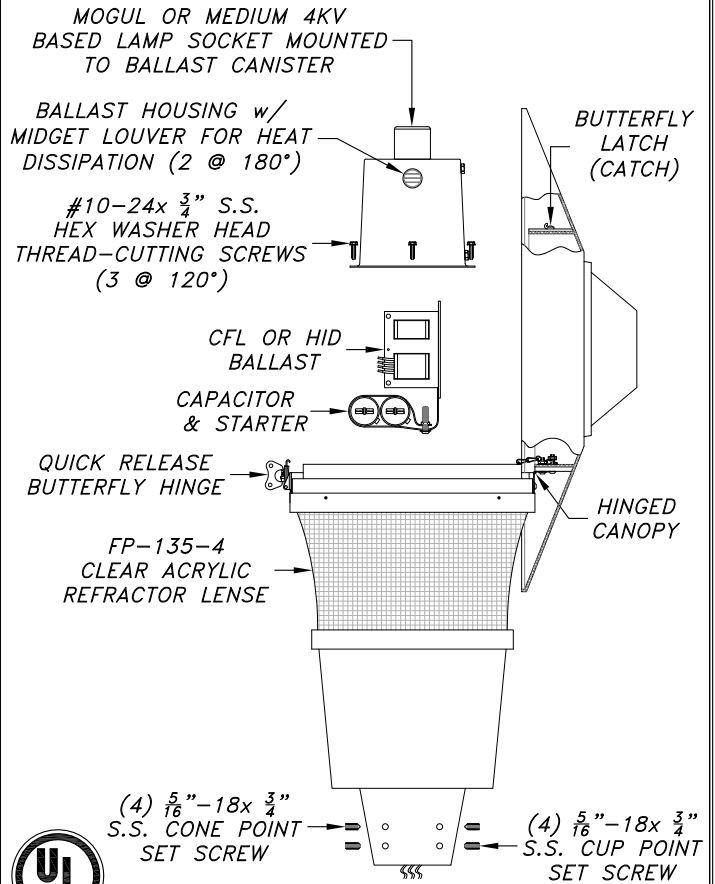
PARKVIEW SERIES

PV-135



SCALE: 1 1/2"=1'-0"

E.P.A.=1.77 SQ.FT.



EXAMPLE

PV-135-PSMH-150-208-V-BLK

PV-135- _____ - _____ - _____ - _____ - _____
Series Ballast Wattage Voltage Refractor Color

BALLAST	WATTAGE-SOCKET MEDIUM MOGUL	VOLTAGE	REFRACTOR GLOBE LENS	COLOR OF POWDER COAT FINISH						
<input type="checkbox"/> INC <input type="checkbox"/> CFL <input type="checkbox"/> HPS <input type="checkbox"/> PSMH <input type="checkbox"/> LED	<input type="checkbox"/> 50w <input type="checkbox"/> 70w <input type="checkbox"/> 100w <input type="checkbox"/> 250w <input type="checkbox"/> 150w <input type="checkbox"/> 175w	<input type="checkbox"/> 120v <input type="checkbox"/> 208v <input type="checkbox"/> 240v <input type="checkbox"/> 277v <input type="checkbox"/> 480v	<input type="checkbox"/> MULTITAP 120v 240v 208v 277v <small>PLEASE SPECIFY VOLTAGE</small>	<input type="checkbox"/> TYPE III <input type="checkbox"/> TYPE V						
<table style="width: 100%;"> <tr> <td><input type="checkbox"/> (BLK) BLACK</td> <td><input type="checkbox"/> (HG) HAND BRUSHED GREEN</td> </tr> <tr> <td><input type="checkbox"/> (BRZ) BRONZE</td> <td><input type="checkbox"/> (HR) HAND BRUSHED GRAY</td> </tr> <tr> <td><input type="checkbox"/> (GRN) GREEN</td> <td><input type="checkbox"/> CUSTOM _____</td> </tr> </table>					<input type="checkbox"/> (BLK) BLACK	<input type="checkbox"/> (HG) HAND BRUSHED GREEN	<input type="checkbox"/> (BRZ) BRONZE	<input type="checkbox"/> (HR) HAND BRUSHED GRAY	<input type="checkbox"/> (GRN) GREEN	<input type="checkbox"/> CUSTOM _____
<input type="checkbox"/> (BLK) BLACK	<input type="checkbox"/> (HG) HAND BRUSHED GREEN									
<input type="checkbox"/> (BRZ) BRONZE	<input type="checkbox"/> (HR) HAND BRUSHED GRAY									
<input type="checkbox"/> (GRN) GREEN	<input type="checkbox"/> CUSTOM _____									

LUMINAIRE SPECIFICATION

HOUSING

The pendant mount luminaire shall be core cast aluminum. Aluminum shall be certified as pure #356 alloy, free of any porosity, foreign materials or cosmetic fillers. Castings shall be uniform wall thickness with no warping or mold shifting. Minimum wall thickness shall be 3/16". Electrical components are mounted in the aluminum base with three stainless steel screws. The refractor lens will be molded acrylic and designed for either a type III or type V light distribution pattern.

ELECTRICAL

All electrical components and materials shall be UL-recognized and wired by a certified UL technician. All Niland ballasts are high power factor rated for -30°C/-20°F starting. Medium and Mogul base sockets are 4 KV rated. The electrical assembly is prewired with quick disconnects for servicing. Fixture shall be UL certified for wet locations.

MOUNTING

Fixture shall be mounted to 3"O.D., x3"H, tenon with stainless steel allen head set screws (8 @ 90°)

RELAMPING

To relamp, remove locking tool free butterfly latch hinge and lift the lid to access socket.

FINISH

Fixture finish shall consist of degreasing, phosphate acid etching with 140+ deionized water, rinsed, oven dry off and top coated with a thermoset TGIC super polyester powder coat finish designed not to chalk or fade for many years. All Niland Company powders must pass a minimum 3000-hour salt spray test for corrosion resistance.

CERTIFICATION

The Fixture shall be UL-Listed for wet location use, and all HID listings.

WARRANTY

Niland Company warrants to repair or replace, at our option, any equipment that fails due to defects in material or workmanship within one year from date of shipment. This warranty does not include failures as a result of improper installation, mishandling or misapplication. This guarantee is limited to repair or replacement only and does not include reimbursement for expense of installation, removal of equipment, transportation or any other expenses that may be incurred. Authorization must be obtained from Niland Company in El Paso, Texas before any material is returned.

PHOTOMETRICS

Complete photometric data for all fixtures is available in IES-formatted 3.5 disks. A certified independent laboratory performs all testing. Call the Niland Company directly for more information.

Catalog Name: PV-135 Date: 02.15.18

Revision History: N/A Revision #: 0

Niland Approval: Luis M. Gomez Customer Approval: _____ Page: 4 of 4



Niland Company

NILAND COMPANY • PH: (915) 779-1405 • FAX: (915) 779-3618 • E-MAIL: INFO@NILANDCO.COM
 320 N. Clark El Paso, Tx 79905 • PH: 800-648-9013 • FAX: 888-779-3065 • WEB PAGE: [HTTP://www.nilandco.com](http://www.nilandco.com)