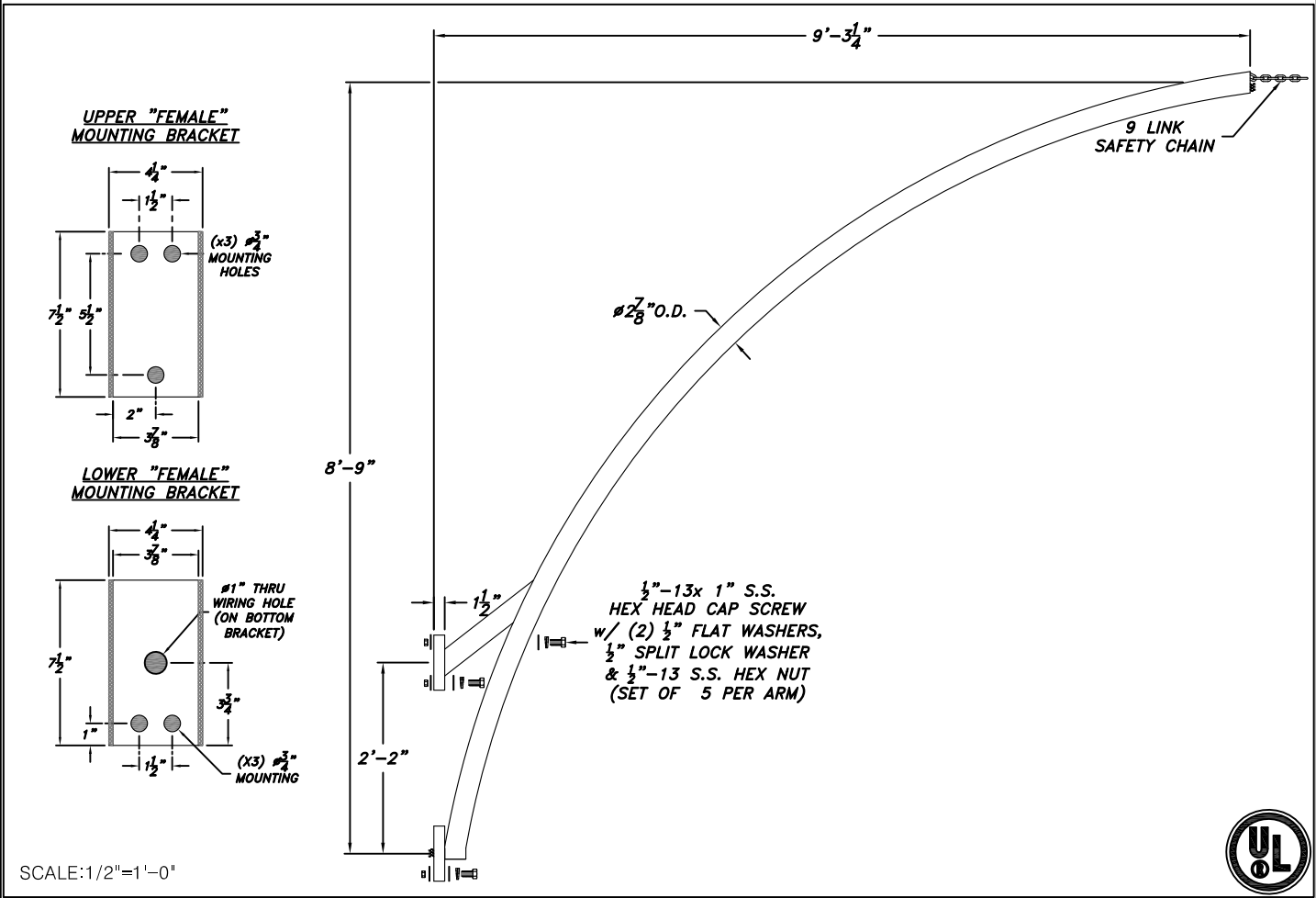


DAVENPORT SERIES

DAV-1



SCALE: 1/2" = 1'-0"

EXAMPLE
DAV-1-BLK

DAV- 1 -
Series Arms Color

ARM PER POLE	COLOR OF POWDER COAT FINISH
<input type="checkbox"/> SINGLE <input type="checkbox"/> DOUBLE	<input type="checkbox"/> (BLK) BLACK <input type="checkbox"/> (HG) HAND BRUSHED GREEN <input type="checkbox"/> (BRZ) BRONZE <input type="checkbox"/> (HR) HAND BRUSHED GRAY <input type="checkbox"/> (GRN) GREEN <input type="checkbox"/> CUSTOM _____

ARM SPECIFICATION

<p>ARM The arms shall be steel construction. Extrusion shall be 11 gauge ($\frac{1}{8}$" wall thickness with no warping or mold shifting. Electrical wiring shall run through arm up and out through the $\approx 2 \frac{5}{8}$" opening.</p> <p>ELECTRICAL All electrical wiring is ran through center shaft and arm and shall be UL-recognized and wired by a certified UL technician. The electrical assembly is prewired with quick disconnects for servicing. Fixture shall be UL certified for wet locations.</p> <p>MOUNTING Arm shall be mounted to a (2) $3 \frac{3}{8}$"W.x $7 \frac{1}{2}$"H.x $1 \frac{1}{2}$"D. arm bracket using (3) steel hex head set screws for fastening.</p>	<p>FINISH Fixture finish shall consist of degreasing, phosphate acid etching with 140+ deionized water, rinsed, oven dry off and top coated with a thermoset TGIC super polyester powder coat finish designed not to chalk or fade for many years. All Niland Company powders must pass a minimum 3000-hour salt spray test for corrosion resistance.</p> <p>CERTIFICATION The Fixture shall be UL-Listed for wet location use, and all HID listings.</p> <p>WARRANTY Fixture shall be warranted to be free of defects for five years. Ballast components shall carry the ballast manufacturers limited warranty of two years.</p>
--	---

Catalog Name: <u>DAV-1</u> Date: <u>02.15.18</u> Revision History: <u>N/A</u> Revision #: <u>0</u>	
Niland Approval: <u>Luis M. Gomez</u> Customer Approval: _____ Page: <u>3</u> of <u>4</u>	
NILAND COMPANY • PH: (915) 779-1405 • FAX: (915) 779-3618 • E-MAIL: INFO@NILANDCO.COM 320 N. Clark El Paso, Tx 79905 • PH: 800-848-9013 • FAX: 888-779-3065 • WEB PAGE: HTTP://www.nilandco.com	