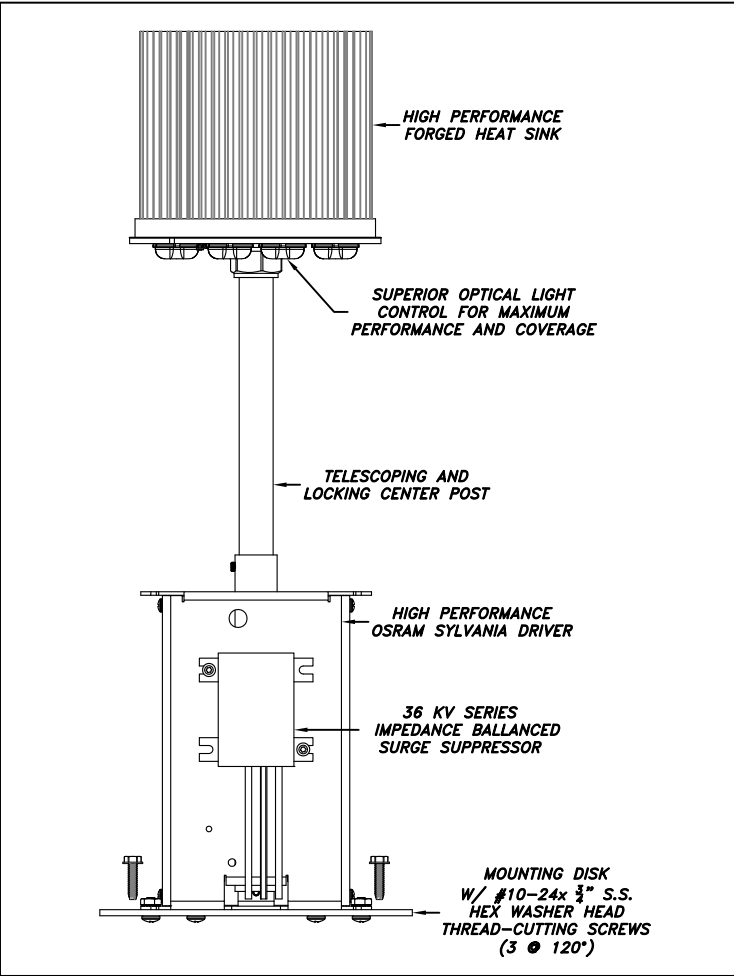
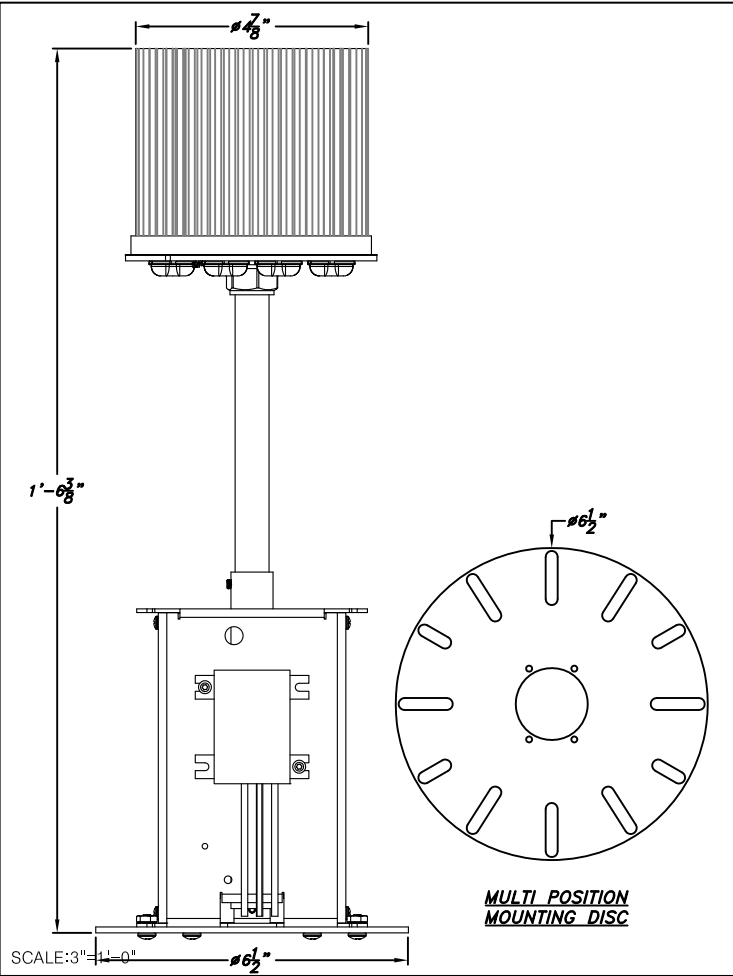


LED D4 SERIES RETRO-FIT

LED-D4-RETRO



KELVIN	MODEL # = WATTAGE = LUMENS				VOLTAGE RANGE-AC	LIGHT DISTRIBUTION	INSTALLATION	***CAUTION***
	#33=30W	#40=38W	#60=57W	#80=77w				
<input type="checkbox"/> 2200	<input type="checkbox"/> 3372Lmns	<input type="checkbox"/> 4196Lmns	<input type="checkbox"/> 6387Lmns	<input type="checkbox"/> 8017Lmns	120/277v	<input type="checkbox"/> TYPE III <input type="checkbox"/> TYPE V	REMOVE EXISTING BALLAST AND WIRE DIRECT 120-277VAC	***DO NOT INSTALL OR REMOVE WHILE BASE IS ENERGIZED***
<input type="checkbox"/> 3000	<input type="checkbox"/> 3853Lmns	<input type="checkbox"/> 4675Lmns	<input type="checkbox"/> 6464Lmns	<input type="checkbox"/> 8050Lmns				
<input type="checkbox"/> 4000	<input type="checkbox"/> 4095Lmns	<input type="checkbox"/> 4969Lmns	<input type="checkbox"/> 6870Lmns	<input type="checkbox"/> 8556Lmns				
<input type="checkbox"/> 5000	<input type="checkbox"/> 4095Lmns	<input type="checkbox"/> 4969Lmns	<input type="checkbox"/> 6870Lmns	<input type="checkbox"/> 8556Lmns				

LED SPECIFICATION

LED ESSEMBLY
Electrical components are one piece plug-in. LED assembly unit shall be mounted in the post top. Fixture shall be UL certified for wet locations.

LED POWER SUPPLY
All electrical components and materials shall be UL-recognized and wired by a certified UL technician. The electrical assembly is prewired with quick disconnects for servicing. Electrical components rated for 1 amp but only draws 300 millamps which adds to the units longevity. Input voltage 120-277v with 36kv surge suppression. All components are IP66 rated with a 1.0 PF rating. Service life up to 100,000 hours life at 25°C average ambient, designed for 40°C continuous outside fixture. <20% Total Harmonic Distortion

LED CIRCUIT BOARD
LED's are available in 2200, 3000, 4000 & 5000 Kelvin with a Type III or Type V light distribution. Instant On/Off soft start. PF rating of 92% Solid State panel.

MOUNTING
Multi position mounting disc.

CERTIFICATION
LED unit is DLC Listed with IP66 Components. The D4 Retrofit Kit designed to UL 1598 and UL 1449 3rd Edition. UL driver installed.

WARRANTY
Five year standard fixture warranty

PHOTOMETRICS
Contact manufacturer for details.

Catalog Name: LED-D4-RETRO Date: 03.22.19
 Revision History: N/A Revision #: 0
 Niland Approval: Luis M. Gomez Customer Approval: _____ Page: 1 of 1



Leading The Way For Solid State Street Lighting

OSRAM SYLVANIA QUICK 60+
Warranty On Parts

NILAND COMPANY • PH: (915) 779-1405 • FAX: (915) 779-3618 • E-MAIL: INFO@NILANDCO.COM
 320 N. Clark El Paso, Tx 79905 • PH: 800-648-9013 • FAX: 888-779-3065 • WEB PAGE: HTTP://www.nilandco.com