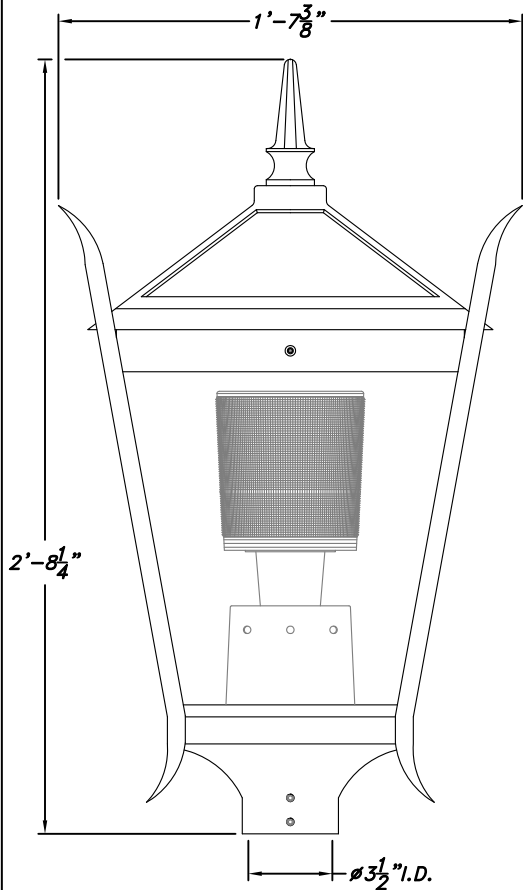


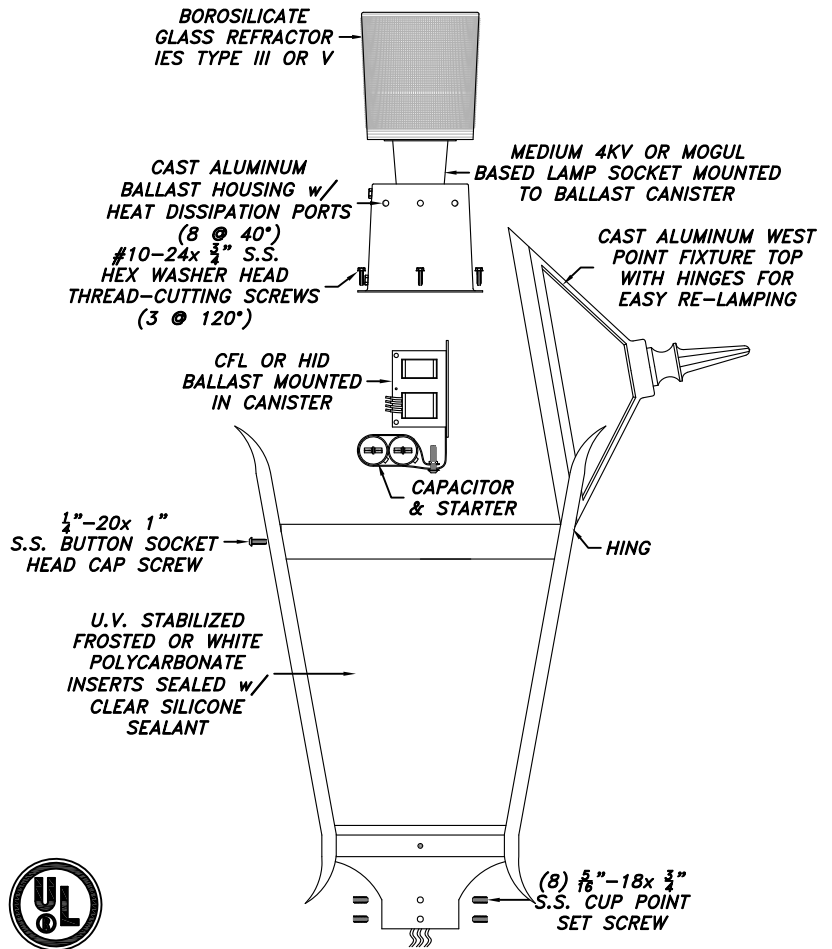
WESTPOINT SERIES

WP-BOR



SCALE: 1 1/2"=1'-0"

E.P.A.=2.17 SQ.FT.



EXAMPLE

WP-BOR-PSMH-150-208-V-BLK

WP-BOR- _____
Series

Ballast

Wattage

Voltage

Distribution

Color

INSERTS	LIGHT SOURCE	WATTAGE-SOCKET		VOLTAGE		LIGHT DISTRIBUTION	COLOR OF POWDER COAT FINISH	
		MEDIUM	MOGUL					
<input type="checkbox"/> FROSTED (CLEAR)	<input type="checkbox"/> INC	<input type="checkbox"/> 50w		<input type="checkbox"/> 120v	<input type="checkbox"/> MULTITAP	<input type="checkbox"/> TYPE III	<input type="checkbox"/> (BLK) BLACK	<input type="checkbox"/> (HG) HAND BRUSHED GREEN
<input type="checkbox"/> WHITE (MILKY)	<input type="checkbox"/> CFL	<input type="checkbox"/> 70w		<input type="checkbox"/> 208v	120v 240v	<input type="checkbox"/> TYPE V	<input type="checkbox"/> (BRZ) BRONZE	<input type="checkbox"/> (HR) HAND BRUSHED GRAY
	<input type="checkbox"/> HPS	<input type="checkbox"/> 100w	<input type="checkbox"/> 250w	<input type="checkbox"/> 240v	208v 277v		<input type="checkbox"/> (GRN) GREEN	<input type="checkbox"/> CUSTOM _____
	<input type="checkbox"/> PSMH	<input type="checkbox"/> 150w		<input type="checkbox"/> 277v	PLEASE SPECIFY VOLTAGE			
	<input type="checkbox"/> LED	<input type="checkbox"/> 175w		<input type="checkbox"/> 480v				

LUMINAIRE SPECIFICATION

HOUSING

The post top shall be core cast aluminum. Aluminum shall be certified as pure #356 alloy, free of any porosity, foreign materials or cosmetic fillers. Castings shall be uniform wall thickness with no warping or mold shifting. Minimum wall thickness shall be 3/16". Electrical components are mounted in the ballast canister. The ballast canister shall be mounted in the post top with three stainless steel screws. The optional refractor will be a borosilicate glass refractor designed for either a type III or type V light distribution pattern.

ELECTRICAL

All electrical components and materials shall be UL-recognized and wired by a certified UL technician. All Niland ballasts are high power factor rated for -30°C/-20°F starting. Medium and Mogul base sockets are 4 KV rated. The electrical assembly is prewired with quick disconnects for servicing. Fixture shall be UL certified for wet locations.

MOUNTING

Fixture shall be mounted to 3" O.D. x 3"H. tenon with stainless steel allen head set screws (8 @ 90°)

RELAMPING

The lamp is accessed by loosening the Button Head Socket Cap Screws that are mounted to hinged luminaire lid.

FINISH

Fixture finish shall consist of degreasing, phosphate acid etching with 140+ deionized water, rinsed, oven dry off and top coated with a thermoset TGIC super polyester powder coat finish designed not to chalk or fade for many years. All Niland Company powders must pass a minimum 3000-hour salt spray test for corrosion resistance.

CERTIFICATION

The Fixture shall be UL-Listed for wet location use, and all HID listings.

WARRANTY

Fixture shall be warranted to be free of defects for five years. Ballast components shall carry the ballast manufacturers limited warranty of two years.

PHOTOMETRICS

Complete photometric data for all fixtures is available in IES-formatted 3.5 disks. A certified independent laboratory performs all testing. Call the Niland Company directly for more information.

Catalog Name: WP-BOR Date: 02.15.18
Revision History: N/A Revision #: 0

Niland Approval: Luis M. Gomez Customer Approval: _____ Page: 3 of 3



Niland Company

NILAND COMPANY • PH: (915) 779-1405 • FAX: (915) 779-3618 • E-MAIL: INFO@NILANDCO.COM
 320 N. Clark El Paso, Tx 79905 • PH: 800-648-9013 • FAX: 888-779-3065 • WEB PAGE: HTTP://www.nilandco.com