

Solid State Lighting

Reliability. Longevity. Savings.

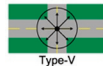
LED Post Top Retrofit Kit



The LED Post Top Retrofit Kit by Niland Company is an alternative to high-intensity discharge (HID) lamps up to 175W at pole heights up to 30 feet. The directional light distribution of high power LEDs allows the delivery of light only where needed, reducing wasted and minimizing light trespass and upward emissions. The Retrofit Kit is an environmentally friendly lighting solution as it contains no mercury or lead. It is an excellent solution for communities that wish to convert their existing lighting systems as it offers substantial energy and maintenance cost savings as well as minimizes waste in landfills.

Key Features

- Reduces energy consumption up to 70%
- Provides significant maintenance and cost savings by lasting 2-6 times longer than HID lamps
- Enhances light quality with better uniformity and color performance.
- Type-V medium and Type-V short light distributions
- 50,000 hour life at 70% lumen maintenance
- 120-277 VAC input voltage at 60Hz with surge protection
- 5000K CCT, CRI 75 Medium distribution and 5700K, CRI 70 short distribution
- UL1310 recognized Class 2 OPTOTRONIC® power supply
- Mercury free
- UV and IR free
- RoHS compliant
- Up to 30 feet mounting height
- Ability to power down for sunrise, sunset to save energy with dual ballast
- Smaller diameter for easier retrofit into more applications
- Mounting hardware included in kit and for all three methods: Top, Middle, Bottom



For purposes of ARRA, this product is made in the US.

Application Information

Applications

- College and business park campuses
- Historic restorations and downtown business districts
- Public lots and garages
- Residential roadways, walkways, and bikeways
- Shopping centers, malls and plazas

Application Notes

1. Maximum mean ambient operating temperature outside the fixture is 40°C
2. Maximum ambient operating temperature outside the fixture can not exceed 60°C
3. To prevent personal injury or product damage only licensed electricians should provide all installation services
4. Please read installation manual before attempting installation
5. Recommended mounting height up to 30 feet
6. UL classification pending for post top and shoebox fixtures

Product Offering

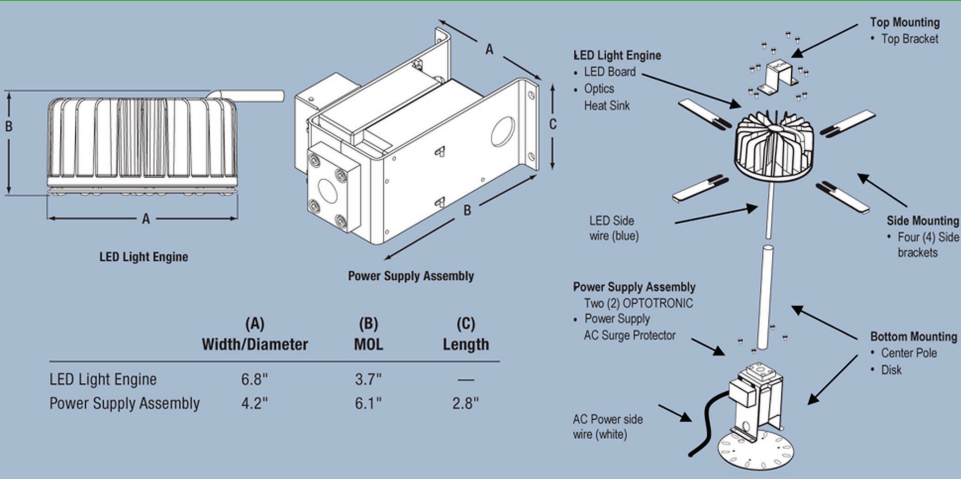
Item Number	Ordering Abbreviation	Wattage (W)	Voltage	Light Distribution
78628	LED55RETROFIT/750T5M/D6	55	120-277	Type-V Medium
78629	LED55RETROFIT/757T5S/D6	55	120-277	Type-V Short

Ordering Information

Item Number	Ordering Abbreviation	Wattage (W)	Input Voltage (VAC)	Power Factor ²	Efficacy (lm/W) ³	Average Rated Life (hrs.) ⁴	Typical Lumens (lm) ⁵	CCT ⁶	CRI	Operating Temperature	BUG Rating
78628	LED55RETROFIT/750T5M/D6	55	120-277	0.95	64	50,000	3,500	5000K	75	-30°C to 40°C	B2 U2 G1
78629	LED55RETROFIT/757T5S/D6	55	120-277	0.95	62	50,000	3,400	5700K	70	-30°C to 40°C	B2 U2 G1

1. Typical wattage while operated at 120VAC is 54W (±10%). Typical wattage while operated at 277VAC is 59W (±10%).
2. Power factor at 120V AC supply voltage.
3. Thermally stable typical efficacy (±10%).
4. Hours lifetime with 70% lumen maintenance. Based on operation temperature at 104°F (40°C).
5. Thermally stable typical lumens (±10%).
6. Thermally stable typical CCT (±10%).

Technical Information

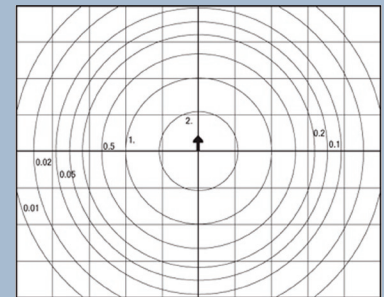


Photometric Distribution

Illuminance Diagram (without a fixture)

Mounting Height: 10ft
Each box is one mounting height.

Type V Medium, 5000L CCT
(Distribution might change when fixture globe is present)



Illuminance Intensity Distribution (without a fixture)

Max. plane at H: 0
Max. Cone at V: 67
Max. candlepower: 1229

Type V Medium, 5000L CCT
(Distribution might change when fixture globe is present)

