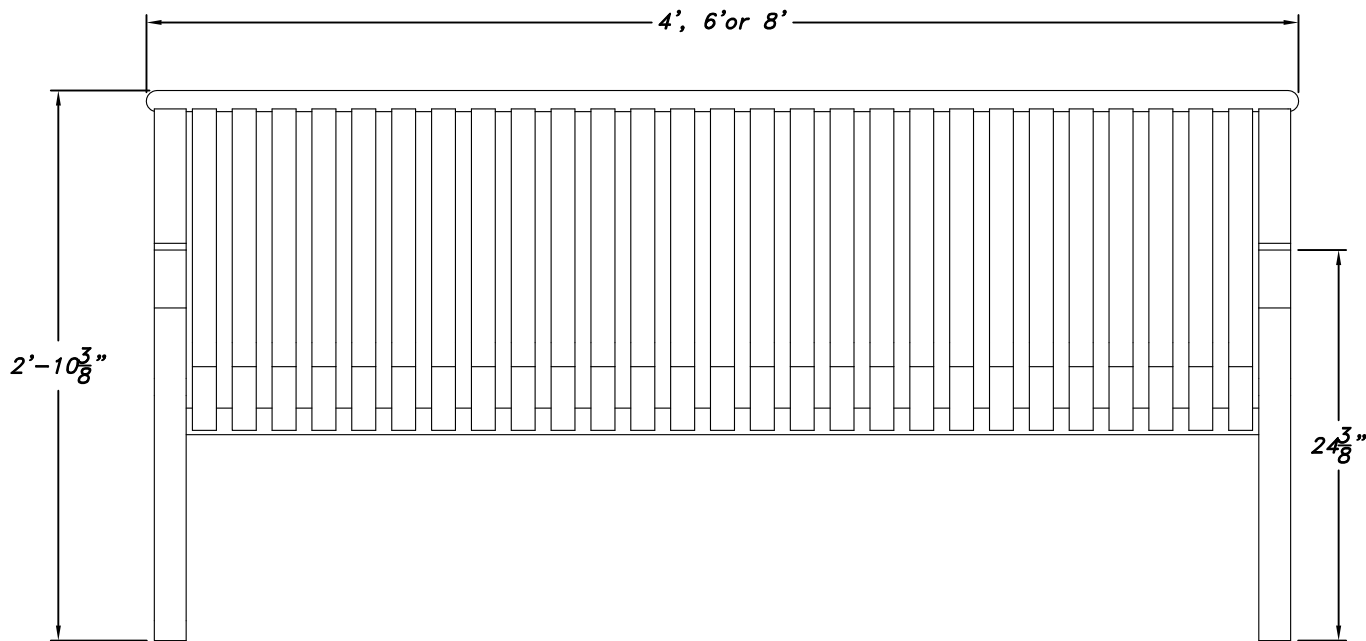
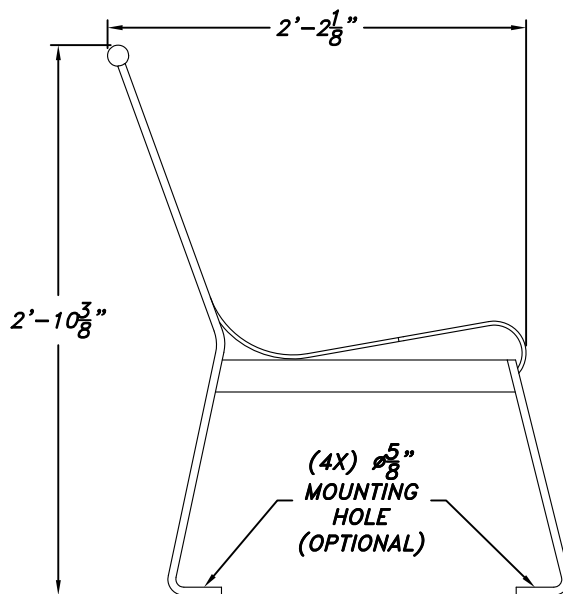


# CASCADIA SERIES



SCALE: 1"=1'-0"

N-CC-BB-FB-\_\_-\_\_-\_\_

N-CC- BB - FB - \_\_\_\_\_  
Series Bench Material Armrest Length Mounting Color

| BENCH MODEL  | MATERIAL  | ARMREST  | LENGTH   | MOUNTING  | COLOR OF POWDER COAT FINISH  |
|--|---|--|--|---|--|
| <input type="checkbox"/> (BB) w/ BACK<br><input type="checkbox"/> (BLB) BACKLESS | <input type="checkbox"/> (FB) FLAT BAR<br><input type="checkbox"/> (RB) ROUND BAR | <input type="checkbox"/> ARMREST____<br><input type="checkbox"/> w/o ARMREST | <input type="checkbox"/> 4Ft<br><input type="checkbox"/> 6Ft<br><input type="checkbox"/> 8Ft | <input type="checkbox"/> (E) EMBEDDED<br><input type="checkbox"/> (F) SURFACE FLANGE<br><input type="checkbox"/> (FS) FREE STANDING | <input type="checkbox"/> (BLK) BLACK <input type="checkbox"/> (HG) HAND BRUSHED GREEN<br><input type="checkbox"/> (BRZ) BRONZE <input type="checkbox"/> (HR) HAND BRUSHED GRAY<br><input type="checkbox"/> (GRN) GREEN <input type="checkbox"/> CUSTOM _____ |

Catalog Name: N-CC-BB-FB Date: 02.15.18  
 Revision History: N/A Revision #: 0  
 Niland Approval: Luis M. Gomez Customer Approval: \_\_\_\_\_ Page: 1 of 1



## Niland Company

NILAND COMPANY • PH: (915) 779-1405 • FAX: (915) 779-3618 • E-MAIL: INFO@NILANDCO.COM  
 320 N. Clark El Paso, Tx 79905 • PH: 800-648-9013 • FAX: 888-779-3085 • WEB PAGE: HTTP://www.nilandco.com