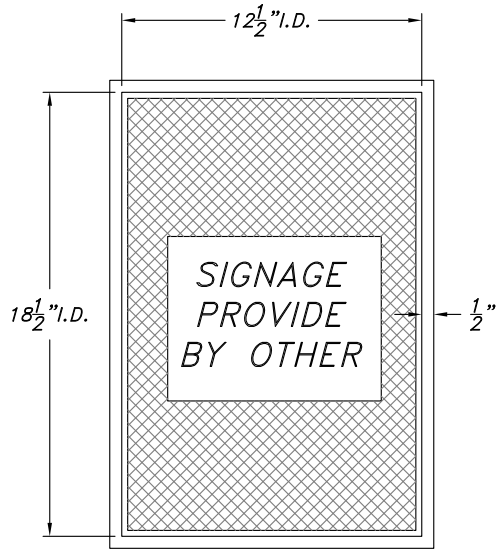
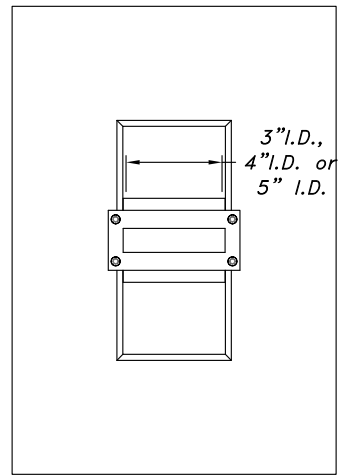


STREET SIGN SERIES

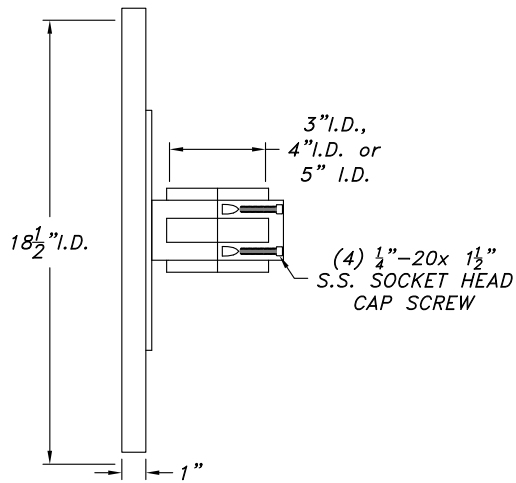
POLE MOUNTED



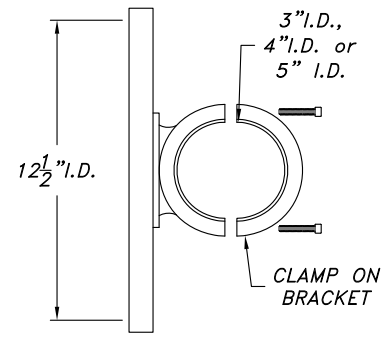
FRONT VIEW



BACK VIEW



SIDE VIEW



TOP VIEW

SCALE: 1/2" = 1'-0"

POLE DIA.	BACKER SIZE	COLOR OF POWDER COAT FINISH	
<input type="checkbox"/> 3" DIA. <input type="checkbox"/> 4" DIA. <input type="checkbox"/> 5" DIA.	<input type="checkbox"/> 12"x18" <input type="checkbox"/> 24"x30" <input type="checkbox"/> 18"x24" <input type="checkbox"/> _____	<input type="checkbox"/> (BLK) BLACK <input type="checkbox"/> (BRZ) BRONZE <input type="checkbox"/> (GRN) GREEN	<input type="checkbox"/> (HG) HAND BRUSHED GREEN <input type="checkbox"/> (HR) HAND BRUSHED GRAY <input type="checkbox"/> CUSTOM _____

Catalog Name: PM-_____ x _____ Date: 02.15.18
 Revision History: N/A _____ Revision #: 0

 Niland Approval: Luis M. Gomez Customer Approval: _____ Page: 1 of 1

Niland Company

NILAND COMPANY • PH: (915) 779-1405 • FAX: (915) 779-3618 • E-MAIL: INFO@NILANDCO.COM
 320 N. Clark El Paso, Tx 79905 • PH: 800-648-9013 • FAX: 888-779-3065 • WEB PAGE: HTTP://www.nilandco.com