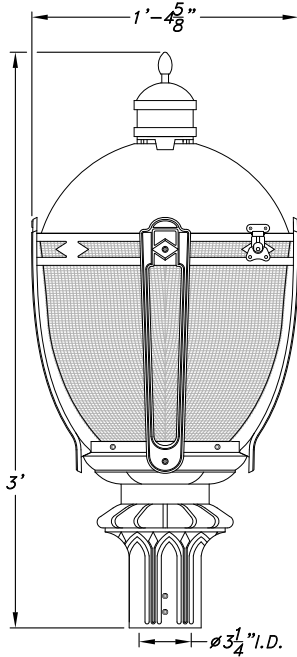


# CAPITOL LED SERIES

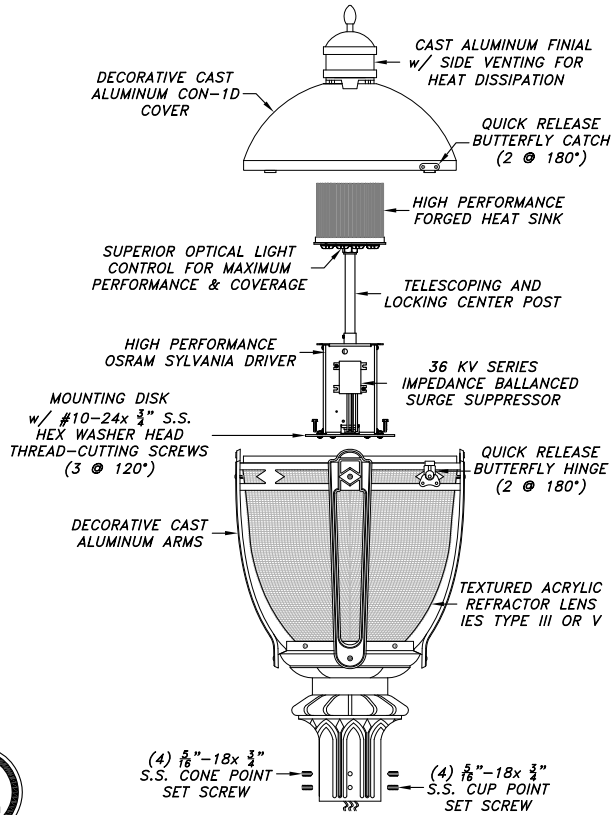
## CP-CON-1D-LED-D4

IP66 RATED  
COMPONENTS



SCALE: 1"=1'-0"

E.P.A.=2.32 SQ.FT.



**EXAMPLE**

CP-CON-1D-LED-5000-60-120/277-III-BLK

CP-CON-1D-LED-\_\_\_\_\_ Series \_\_\_\_\_ Canopy \_\_\_\_\_ Kelvin \_\_\_\_\_ Wattage \_\_\_\_\_ Voltage \_\_\_\_\_ Distribution \_\_\_\_\_ Color \_\_\_\_\_

KELVIN	MODEL# = WATTAGE = LUMENS				VOLTAGE RANGE-AC	LIGHT DISTRIBUTION	COLOR OF POWDER COAT FINISH		
	#30=30W	#40=38W	#60=57W	#80=77w			(BLK) BLACK	(HG) HAND BRUSHED GREEN	(HR) HAND BRUSHED GRAY
<input type="checkbox"/> 2200	<input type="checkbox"/> 3372Lmns	<input type="checkbox"/> 4196Lmns	<input type="checkbox"/> 6387Lmns	<input type="checkbox"/> 8017Lmns	120/277v	<input type="checkbox"/> TYPE III	<input type="checkbox"/> (BRZ) BRONZE	<input type="checkbox"/> (GRN) GREEN	<input type="checkbox"/> CUSTOM _____
<input type="checkbox"/> 3000	<input type="checkbox"/> 3853Lmns	<input type="checkbox"/> 4675Lmns	<input type="checkbox"/> 6464Lmns	<input type="checkbox"/> 8050Lmns		<input type="checkbox"/> TYPE V			
<input type="checkbox"/> 4000	<input type="checkbox"/> 4095Lmns	<input type="checkbox"/> 4969Lmns	<input type="checkbox"/> 6870Lmns	<input type="checkbox"/> 8556Lmns					
<input type="checkbox"/> 5000	<input type="checkbox"/> 4095Lmns	<input type="checkbox"/> 4969Lmns	<input type="checkbox"/> 6870Lmns	<input type="checkbox"/> 8556Lmns					

## LUMINAIRE SPECIFICATION

**HOUSING**

The post top shall be core cast aluminum. Aluminum shall be certified as pure #356 alloy, free of any porosity, foreign materials or cosmetic fillers. Castings shall be uniform wall thickness with no warping or mold shifting. Minimum wall thickness shall be 3/16". LED assembly unit shall be mounted in the post top with four stainless steel screws and a quick disconnect for easy removal. Heat vents at base of finial at top of globe increases thermal management and LED longevity. A optional refractor will be an upgrade refractor globe designed for either a type III or V light distribution pattern.

**LED POWER SUPPLY**

All electrical components and materials shall be UL-recognized and wired by a certified UL technician. The electrical assembly is prewired with quick disconnects for servicing. Electrical components rated for 1 amp but only draws 300 milliamps which adds to the units longevity. Input voltage 120-277v with 36kV surge suppression. All components are IP66 rated with a 1.0 PF rating. Service life up to 100,000 hours life at -40°C to +40°C Ambient, Operating Temperature. <20% Total Harmonic Distortion

**LED CIRCUIT BOARD**

LED's are available in 2200, 3000, 4000 & 5000 Kelvin with a Type III or Type V light distribution. Instant On/Off soft start, PF rating of 92% Solid State panel.

**MOUNTING**

Fixture shall be mounted to 3"O.D.x3"H. tenon with stainless steel allen head set screws (8 @ 90°)

**CERTIFICATION**

The fixture shall be UL Certified for wet location use. LED unit is DLC Listed with IP66 Components. Designed to UL 1598 & UL 1449 3rd Edition. UL Driver is installed. Complies with IEEE C62.41 and FCC Part 15 Class A.

**FINISH-AAMA-2604-5**

Fixture finish shall consist of degreasing, phosphate acid etching with 140+ deionized water, rinsed, oven dry off and top coated with a thermoset TGIC super polyester powder coat finish designed not to chalk or fade for many years. All Niland Company powders must pass a minimum 3000-hour salt spray test for corrosion resistance.

**WARRANTY**

Quick 60+ month warranty on LED module and electronic driver. Please contact manufacturer for more details.

**PHOTOMETRICS**

Complete photometric data for all fixtures is available in IES-formatted. A certified independent laboratory performs all testing. Call the Niland Company directly for more information.

Catalog Name: CP-CON-1D-LED-D4 Date: 03.22.19  
Revision History: N/A Revision # 0

Niland Approval: Luis M. Gomez Customer Approval: \_\_\_\_\_ Page: 3 of 3



**OSRAM SYLVANIA** QUICK 60+  
Warranty On Parts

NILAND COMPANY • PH: (915) 779-1405 • FAX: (915) 779-3618 • E-MAIL: INFO@NILANDCO.COM  
320 N. Clark El Paso, Tx 79905 • PH: 800-648-9013 • FAX: 888-779-3065 • WEB PAGE: HTTP://www.nilandco.com