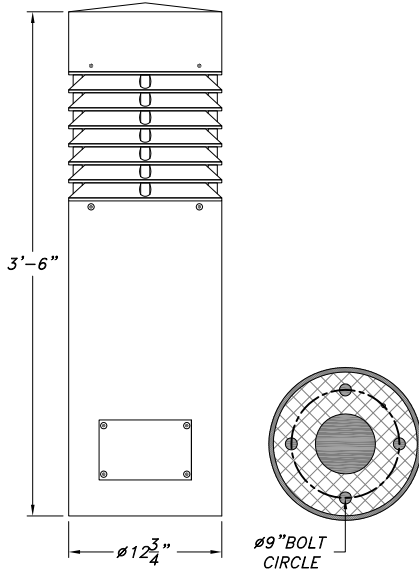
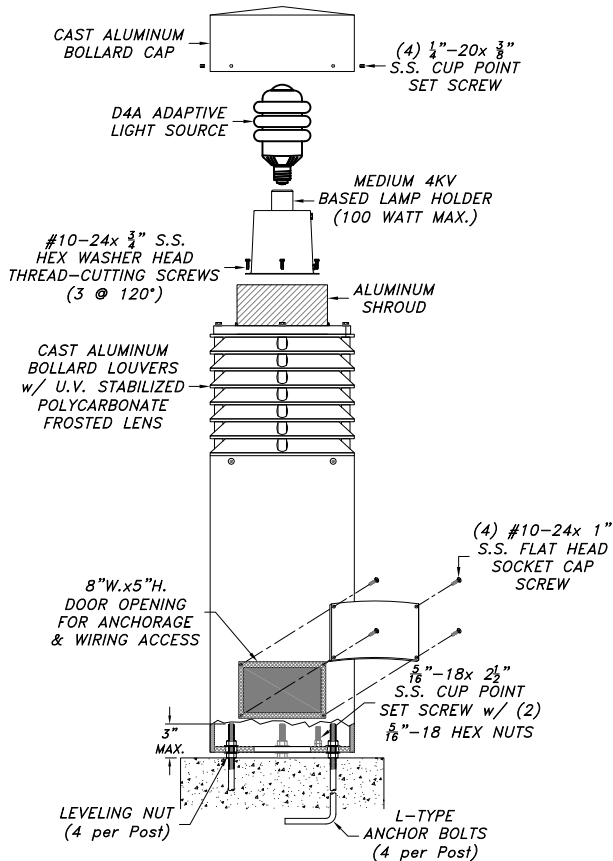


SMALL FEDERAL LOUVERED ILLUMINATED BOLLARD



SCALE: 3/4" = 1'-0"



Catalog Name: **SM-FED-LOUVERED-ILLUM-BOLLARD-LED-D4A**

Revision #: 0 Date: 02.15.19 Page: 1 of 1
 Revision History: N/A
 Niland Approval: Luis M. Gomez Customer Approval: _____

CSI POLE SPECIFICATION

IP66 RATED COMPONENTS

I. BOLLARD

Bollard shall be extruded aluminum. Aluminum shall be certified as pure 356 copper free of any porosity, foreign materials or cosmetic fillers. Bollard casting shall be of uniform wall thickness with no warping or mold shifting. Minimum wall thickness shall be .375". There are no exterior welds to finish. The anchor bolt locations in the base shall be welded in place as part of the extrusion, for maximum strength. Bollard shaft shall be seamless, extrusion 6063-T6 aluminum.

II. ANCHORAGE DETAIL

Standards 1/2" x 18" L-type anchor bolts shall be used to install bollard.

III. LED POWER SUPPLY

All electrical components and materials shall be UL-recognized and wired by a certified UL technician. The electrical assembly is prewired with quick disconnects for servicing. Electrical components rated for 1 amp but only draws 300 milliamps which adds to the units longevity. Input voltage 120-277v with 36kV surge suppression. All components are IP66 rated with a 1.0 PF rating. Service life up to 100,000 hours life at 25°C average ambient, designed for 40°C continuous outside fixture. <20% Total Harmonic Distortion

IV. LED CIRCUIT BOARD

LED's are available in 2200, 3000, 4000 & 5000 Kelvin with a Type III or Type V light distribution. Instant On/Off soft start. PF rating of 95% Solid State panel.

FINISHES

Five Year Powder Coating Warranty

Niland Company factory-applied powder coatings are warranted against peeling, excessive fading and cracking under normal climatic exposure for a period of five years from date of shipment. Damage to finish coating caused by abuse or mishandling during installation is not covered by warranty. This warranty is limited to the repair or replacement of the material involved and does not include reimbursement of consequential expenses such as installation or removal of equipment or transportation costs.

I. STANDARD FINISH

Satin iron achieved by rotary sanding, blasting and phosphate conversion coating.

II. THERMOSET POWDER PAINT FINISH

Pretreatment shall consist of degreasing phosphate acid-etching with 140° and de-ionizing water, rinsed and oven dried.

FINISH COAT

Thermoset TGIC super polyester powder coat finish electrostatically applied, oven cured and bonded at approximately 420° F to a minimum dry film thickness of 1.6 mils. All Niland powders must pass a minimum 3000-hour salt-spray test for corrosion resistance. The National Association of Architectural Metal Manufacturers, Metal Finishes Manual rates the outdoor life of these powders at 15-plus years.

III. LIQUID FINISH

Optional liquid finish is first prime coated then finished with a two part liquid epoxy coat.

WARRANTY

Niland Company warrants to repair or replace, at our option, any equipment that fails due to defects in material or workmanship within one year from date of shipment. This warranty does not include failures as a result of improper installation, mishandling or misapplication. This guarantee is limited to repair or replacement only and does not include reimbursement for expense of installation, removal of equipment, transportation or any other expenses that may be incurred. Authorization must be obtained from Niland Company in El Paso, Texas before any material is returned.

SM-FED-LOUVERED-ILLUM-BOLLARD-LED-_____ Kelvin Wattage Voltage Distribution Color

| STANDARD KELVIN | WATTAGE = LUMENS | | | VOLTAGE RANGE-AC |
|-------------------------------|-----------------------------------|-----------------------------------|-----------------------------------|------------------|
| | 20W | 30W | 40W | |
| <input type="checkbox"/> 2200 | <input type="checkbox"/> 2300Lmns | <input type="checkbox"/> 3400Lmns | <input type="checkbox"/> 4500Lmns | 120/277v |
| <input type="checkbox"/> 3000 | <input type="checkbox"/> 2700Lmns | <input type="checkbox"/> 4000Lmns | <input type="checkbox"/> 5400Lmns | |
| <input type="checkbox"/> 4000 | <input type="checkbox"/> 3200Lmns | <input type="checkbox"/> 4800Lmns | <input type="checkbox"/> 6400Lmns | |
| <input type="checkbox"/> 5000 | <input type="checkbox"/> 3200Lmns | <input type="checkbox"/> 4800Lmns | <input type="checkbox"/> 6400Lmns | |

| | | | |
|--|--|---|--|
| LIGHT DISTRIBUTION <input type="checkbox"/> TYPE III <input type="checkbox"/> TYPE V | SECURITY CHAIN <input type="checkbox"/> CHAIN LENGTH _____ft <input type="checkbox"/> NO CHAIN | COLOR OF POWDER COAT FINISH <input type="checkbox"/> (BLK) BLACK <input type="checkbox"/> (HG) HAND BRUSHED GREEN <input type="checkbox"/> (BRZ) BRONZE <input type="checkbox"/> (HR) HAND BRUSHED GRAY <input type="checkbox"/> (GRN) GREEN <input type="checkbox"/> CUSTOM _____ | |
|--|--|---|--|

NILAND/LED USA
 Leading The Way For Solid State Street Lighting

OSRAM SYLVANIA QUICK 60+
 Warranty On Parts

NILAND COMPANY • PH: (915) 779-1405 • FAX: (915) 779-3618 • E-MAIL: INFO@NILANDCO.COM
 320 N. Clark El Paso, Tx 79905 • PH: 800-648-9013 • FAX: 888-779-3065 • WEB PAGE: HTTP://www.nilandco.com