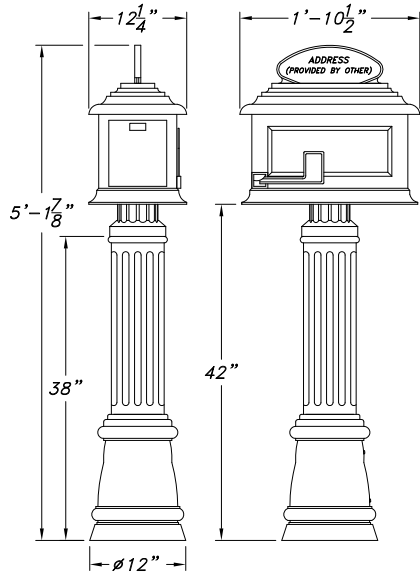
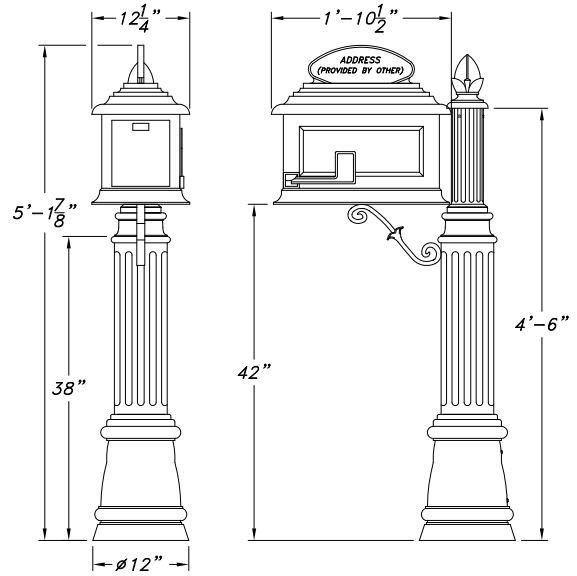


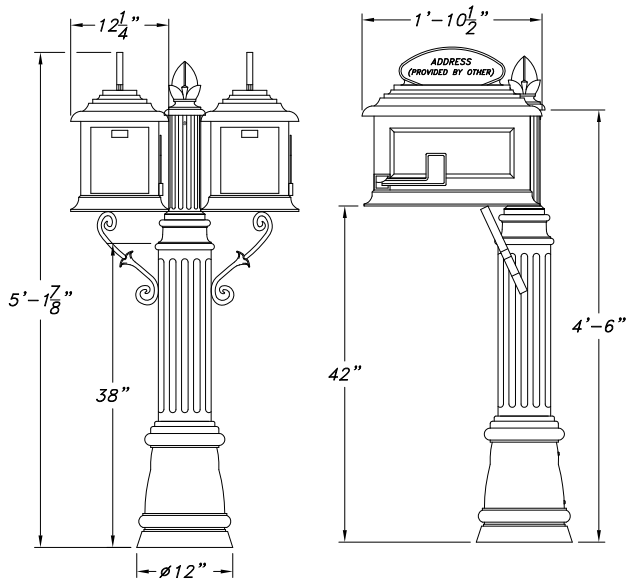
ST. CHARLES SERIES MAILBOX



SC-12-1-TSR

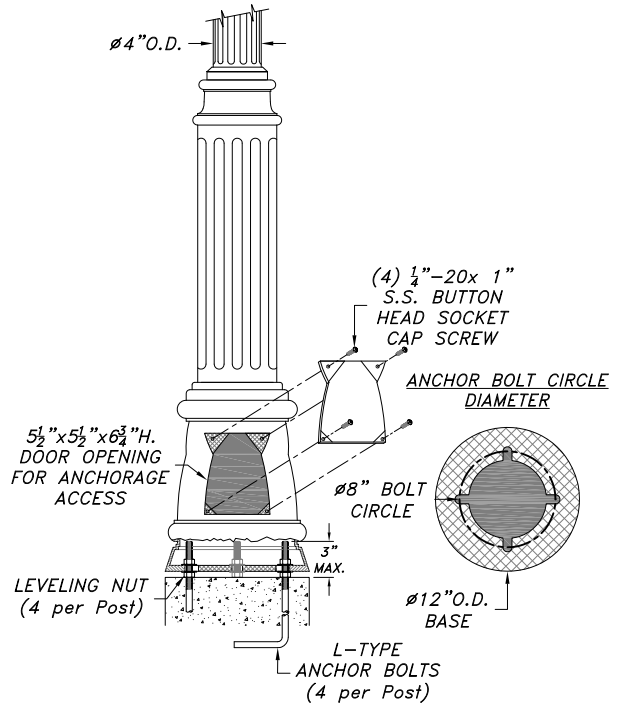


SC-12-1-FSR



SC-12-2-SSR

SCALE: 1/2"=1'-0"



MAILBOX MOUNTING OPTIONS

- (TSR) TOP SIDE RECTANGLE
- (FSR) FRONT SIDE RECTANGLE
- (2-SSR) SIDE x SIDE RECTANGLES

NEWSPAPER BOX

- WITH
- WITHOUT

COLOR OF POWDER COAT FINISH

- (BLK) BLACK
- (BRZ) BRONZE
- (GRN) GREEN
- (HG) HAND BRUSHED GREEN
- (HR) HAND BRUSHED GRAY
- CUSTOM _____

Catalog Name: SC-12-_____ Date: 02.15.18

Revision History: N/A _____ Revision #: 0

Niland Approval: Luis M. Gomez Customer Approval: _____

Page: 1 of 1



Niland Company

NILAND COMPANY • PH: (915) 779-1405 • FAX: (915) 779-3618 • E-MAIL: INFO@NILANDCO.COM
320 N. Clark El Paso, Tx 79905 • PH: 800-648-9013 • FAX: 888-779-3065 • WEB PAGE: HTTP://www.nilandco.com