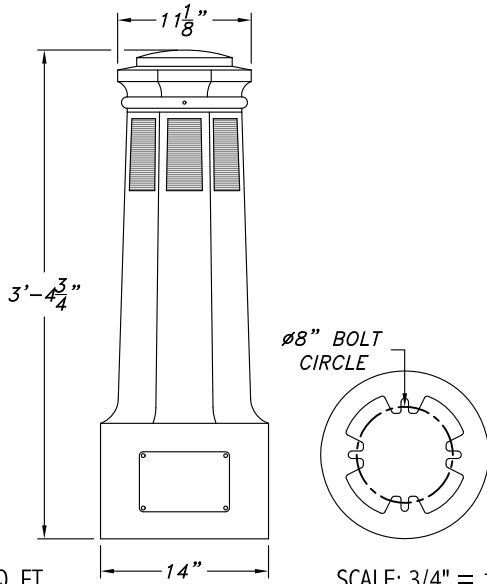
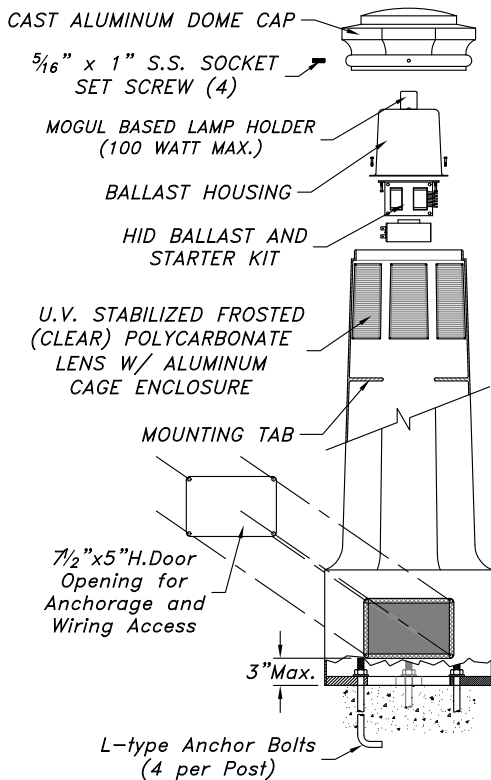


NAVAL SERIES MED ILLUMINATED BOLLARD



E.P.A. = 3.14 SQ. FT.

SCALE: 3/4" = 1'-0"



SCALE: 3/4" = 1'-0"

Catalog Name:

NAVAL-MED-BOLLARD-ILLUM

Revision #: 0 Date: Page: 1 of 1

Revision History: N/A

Niland Approval: Customer Approval:

CSI POLE SPECIFICATION

I. BOLLARD

Bollard shall be cast aluminum. Aluminum shall be certified as pure 356 alloy free of any porosity, foreign materials or cosmetic fillers. Base casting shall be of uniform wall thickness with no warping or mold shifting. Minimum wall thickness shall be .250". The anchor bolt locations in the base shall be cast in place as part of the base casting, for maximum strength. Cast aluminum access cover shall be secured with two to four tamper proof stainless steel screws.

II. FINISH

Fixture finish shall consist of degreasing, phosphate acid etching with 140°+ de-ionizing water, rinsed, oven dryoff and top coated with a thermoset TGIC super polyester powder coat finish designed not to chalk or fade for many years. All Niland Company powders must pass a minimum 3000-hour salt spray test for corrosion resistance.

III. ANCHOR BOLTS

Standards bollard installation shall use 1/2" x 18" L-type anchor bolts.

FINISHES

FIVE YEAR POWDER COATING WARRANTY

Niland Company factory-applied powder coatings are warranted against peeling, excessive fading and cracking under normal climatic exposure for a period of five years from date of shipment. Damage to finish coating caused by abuse or mishandling during installation is not covered by this warranty. This warranty is limited to the repair or replacement of the material involved and does not include reimbursement of consequential expenses such as installation or removal of equipment or transportation costs.

I. STANDARD FINISH

Satin aluminum achieved by rotary sanding, blasting and chemical etching.

II. THERMOSET POWDER PAINT FINISH

Pretreatment shall consist of degreasing phosphate acid-etching with 140° and de-ionizing water, rinsed and oven dried.

FINISH COAT

Thermoset TGIC super polyester powder coat finish electrostatically applied, oven cured and bonded at approximately 420° F to a minimum dry film thickness of 1.6 mils. All Niland powders must pass a minimum 3000-hour salt-spray test for corrosion resistance. The National Association of Architectural Metal Manufacturers, Metal Finishes Manual rates the outdoor life of these powders at 15-plus years.

HOUSING

The bollard top shall be core cast aluminum. Aluminum shall be certified as pure #356 alloy, free of any porosity, foreign materials or cosmetic fillers. Castings shall be uniform wall thickness with no warping or mold shifting. Minimum wall thickness shall be 3/16". Electrical components are mounted to the ballast canister. The ballast canister shall be mounted securely within the bollard with stainless steel screws.

III. ELECTRICAL

All electrical components and materials shall be UL-recognized and wired by a certified UL technician. All Niland ballasts are high power factor rated for 30°C/-20°F starting. Medium and Mogul base sockets are 5KV rated. The electrical assembly is prewired with quick disconnects for servicing. Fixture shall be UL certified for wet locations and carry all HID listings required. Ballast components shall carry the ballast manufacturers limited warranty of two years. Optional QL Induction ballasts and lamps.

WARRANTY

Niland Company warrants to repair or replace, at our option, any equipment that fails due to defects in material or workmanship within one year from date of shipment. This warranty does not include failures as a result of improper installation, mishandling or misapplication. This guarantee is limited to repair or replacement only and does not include reimbursement for expense of installation, removal of equipment, transportation or any other expenses that may be incurred. Authorization must be obtained from Niland Company in El Paso, Texas before any material is returned.

BALLAST	WATTAGE	VOLTAGE	LIGHT DISTRIBUTION
INC. <input type="checkbox"/>		120 <input type="checkbox"/>	
CFL <input type="checkbox"/>	42 <input type="checkbox"/> 70 <input type="checkbox"/>	208 <input type="checkbox"/> MULTI TAP <input type="checkbox"/>	TYPE III <input type="checkbox"/>
HPS. <input type="checkbox"/>	50 <input type="checkbox"/> 100 <input type="checkbox"/>	240 <input type="checkbox"/> 120 240 <input type="checkbox"/>	TYPE V <input type="checkbox"/>
PSMH <input type="checkbox"/>		277 <input type="checkbox"/> 208 277 <input type="checkbox"/>	
IND <input type="checkbox"/>			

COLOR (POWDER COATED)

(TB) TEXTURED BLACK <input type="checkbox"/>	(GG) GLOSS GREEN <input type="checkbox"/>
(TG) TEXTURED FOREST GREEN <input type="checkbox"/>	(GR) GLOSS BRONZE <input type="checkbox"/>
(TR) TEXTURED BRONZE <input type="checkbox"/>	(VG) HAND BRUSHED VERDI GRIS <input type="checkbox"/>
(GB) GLOSS BLACK <input type="checkbox"/>	CUSTOM <input type="checkbox"/>



Niland Company

NILAND COMPANY • PH: (915) 779-1405 • FAX: (915) 779-3618 • E-MAIL: INFO@NILANDCO.COM
320 N. Clark El Paso, Tx 79905 • PH: 800-648-9013 • FAX: 888-779-3065 • WEB PAGE: HTTP://www.nilandco.com