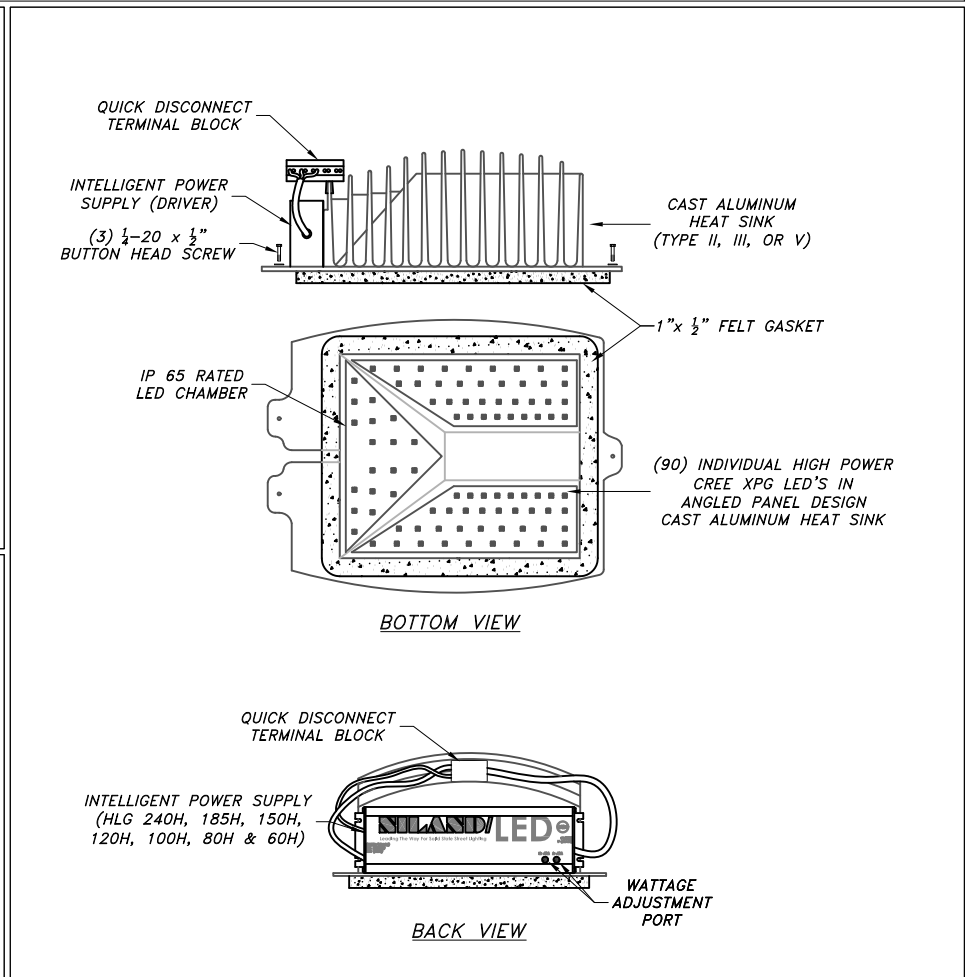
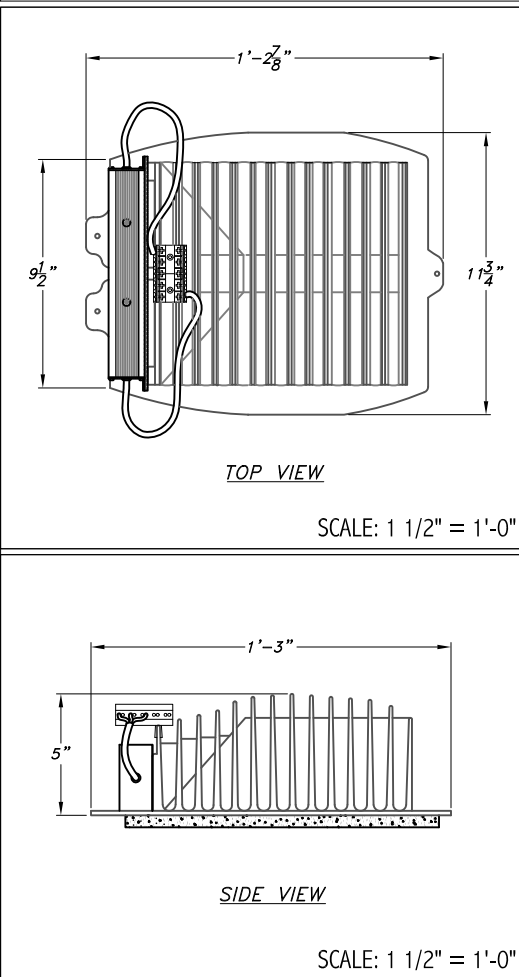


ROADWAY RETRO-FIT SERIES

RW-RF-LED



STANDARD KELVINS	POWER LEVELS	VOLTS	LIGHT DISTRIBUTION	INSTALLATION	** CAUTION **
3500 <input type="checkbox"/> (WARM WHITE) 5000 <input type="checkbox"/> (BRIGHT WHITE)	WATTAGE ADJUSTABLE 25-125 WATTS **FACTORY PRESET TO 125W (300W HID EQ)**	90-305 VAC	TYPE II <input type="checkbox"/> TYPE III <input type="checkbox"/> TYPE V <input type="checkbox"/>	REMOVE EXISTING BALLAST AND WIRE DIRECT 90-305VAC	***DO NOT INSTALL OR REMOVE WHILE BASE IS ENERGIZED***

LED OPTIONS (NOT STANDARD) ADDITIONAL KELVINS (COLORS) AVAILABLE _____

LUMINAIRE SPECIFICATIONS

<p>HOUSING The heat sinks shall be core cast aluminum. Aluminum shall be certified as pure #356 alloy, free of any porosity, foreign materials or cosmetic fillers. Castings shall be uniform wall thickness with no warping or mold shifting. Electrical components are one piece plug-in. LED assembly unit shall be mounted with four stainless steel screws. The aluminum heat sinks increase thermal management and over all LED longevity.</p> <p>LED POWER SUPPLY Up to 100,000 hours Mean Time Before Failure (MTBF). Each factor adjustable setting draws between 300 to 600 milliamps of power. Only 1 power supply is used for up to 125 LED watts each enclosed fixture. Multiple circuit detection and protections. Each unit is rated up to 16 amps of power. Input voltage range of 90-305VAC. Minimum operating temperature -22°F (-30°C) Maximum operating temperature 140°F (60°C).</p> <p>LED CIRCUIT BOARDS 90 individual, CREE XPG LED's rated for up to 100,000 hours service life. 5000 Kelvin white LED's are standard with a CRI of 72, 3500 Kelvins "warm white" LED's are optional. Lead free and RoHS compliant.</p>	<p>MOUNTING LED unit shall be mounted to fixture with stainless steel screws.</p> <p>CERTIFICATION The fixture shall be UL Certified for wet location use, and all HID listings.</p> <p>WARRANTY Quick 60+ month warranty on LED module and electronic driver. Please contact manufacturer for more details.</p> <p>PHOTOMETRICS Contact manufacturer for details.</p>
--	--

Catalog Name: RW-RF-LED Date: _____

Revision History: N/A Revision #: 0

Niland Approval: _____ Customer Approval: _____ Page: 1 of 1

Leading The Way For Solid State Street Lighting

QUICK 60+ Warranty
On Parts and Labor

NILAND COMPANY • PH: (915) 779-1405 • FAX: (915) 779-3618 • E-MAIL: INFO@NILANDCO.COM
 320 N. Clark El Paso, Tx 79905 • PH: 800-648-9013 • FAX: 888-779-3065 • WEB PAGE: HTTP://www.nilandco.com