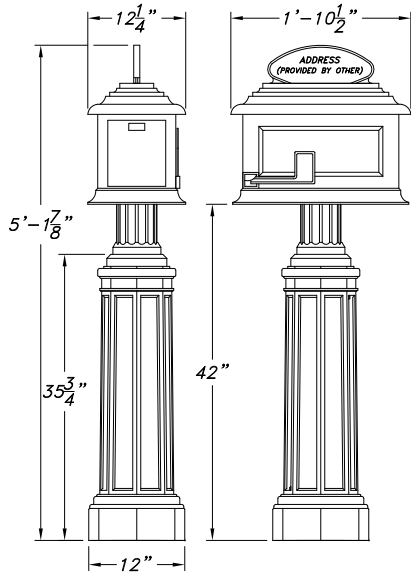
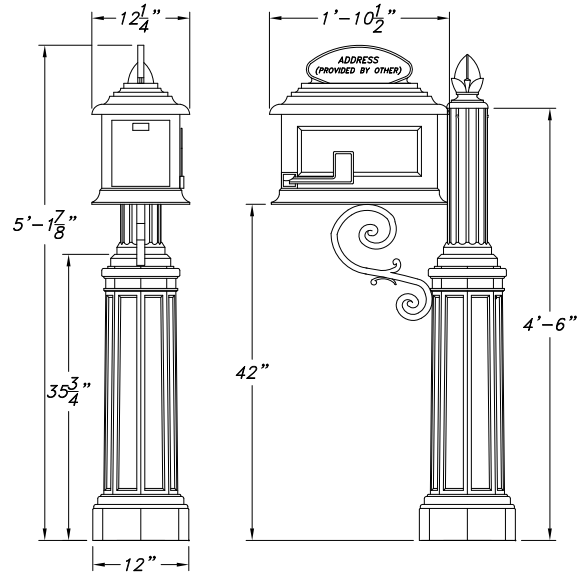


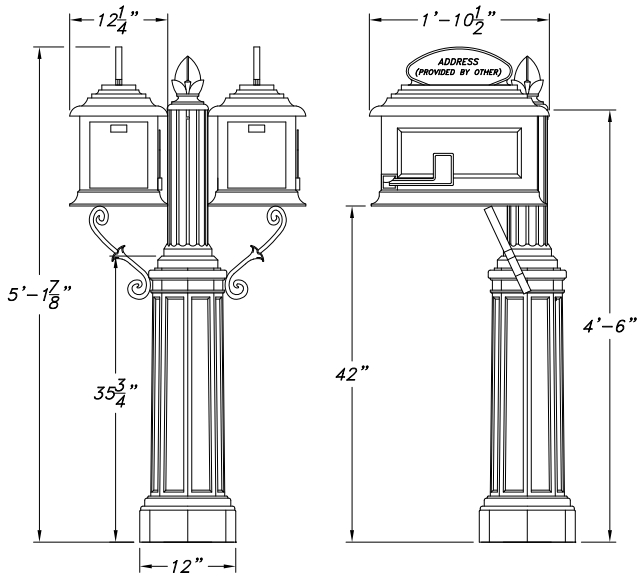
MAINSTREET:5 SERIES MAILBOX



NS5-1-TSR

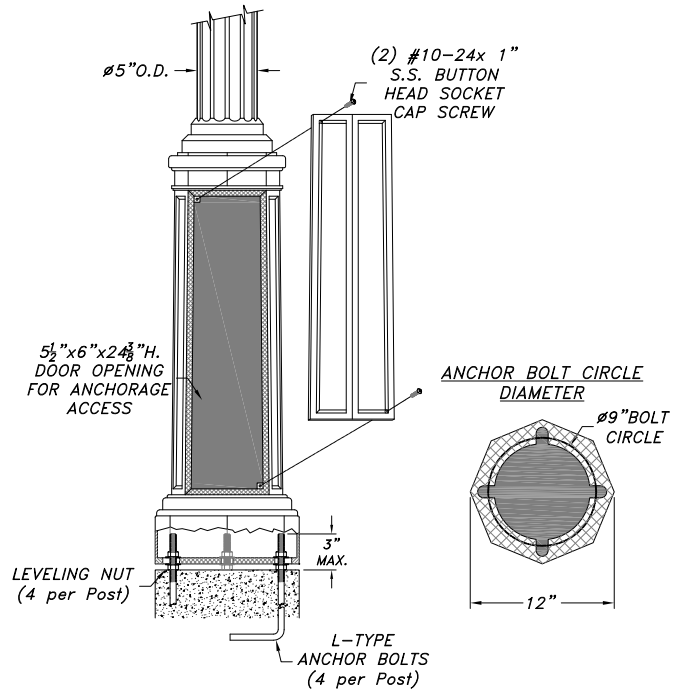


NS5-1-FSR



NS5-2-SSR

SCALE: 1/2" = 1'-0"



MAILBOX MOUNTING OPTIONS

- (TSR) TOP SIDE RECTANGLE
- (FSR) FRONT SIDE RECTANGLE
- (2-SSR) SIDE x SIDE RECTANGLES

NEWSPAPER BOX

- WITH
- WITHOUT

COLOR OF POWDER COAT FINISH

- (BLK) BLACK
- (BRZ) BRONZE
- (GRN) GREEN
- (HG) HAND BRUSHED GREEN
- (HR) HAND BRUSHED GRAY
- CUSTOM _____

Catalog Name: NS5-_____ Date: 02.15.18

Revision History: N/A _____ Revision #: 0

Niland Approval: Luis M. Gomez Customer Approval: _____

Page: 1 of 1



Niland Company

NILAND COMPANY • PH: (915) 779-1405 • FAX: (915) 779-3618 • E-MAIL: INFO@NILANDCO.COM
320 N. Clark El Paso, Tx 79905 • PH: 800-648-9013 • FAX: 888-779-3065 • WEB PAGE: HTTP://www.nilandco.com