

SOUTH BEACH SERIES

NILAND STEEL TRASH RECEPTACLE

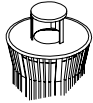
SELECT DESIRED SIZE

- 24 GALLON
 32 GALLON

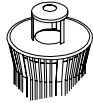
SELECT DESIRED MOUNTING OPTION

- EMBEDDED - E
 SURFACE FLANGE - F
 FREE STANDING - FS

SELECT DESIRED TOP OPTIONS



W/ ELEVATED CANOPY



W/ ELEVATED CANOPY
W/ ASH BOWL



W/ DOMED TOP



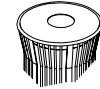
FLAT TAPERED STEEL TOP
(STANDARD)



W/ DOMED TOP
W/ ASH BOWL
(SHOWN)



W/ LOW DOMED TOP



W/ FLAT TOP

SELECT DESIRED FINISH

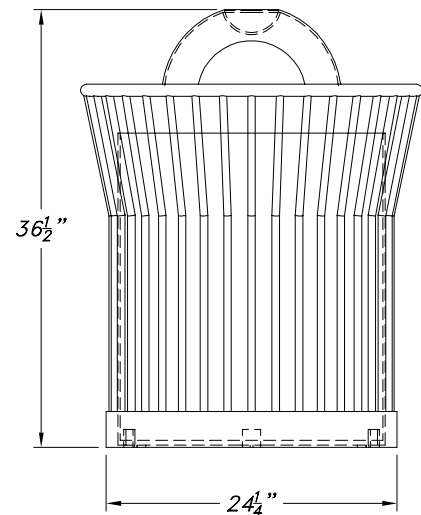
- HOT-DIPPED GALVANIZED - G
 POLYESTER POWDER COAT - P
 THERMOPLASTIC POWDER COATED - T
 STAINLESS STEEL (#4 SATIN FINISH) - SS

SELECT DESIRED ACCESSORIES

- ASH URN INSERT FOR DOMED STEEL TOP
& FLAT FLAT STEEL TOP WITH ELEVATED
CANOPY - AU

SELECT DESIRED COLOR

- | | |
|---------------------------------|-----------------------------------|
| <input type="checkbox"/> RED | <input type="checkbox"/> GREY |
| <input type="checkbox"/> GREEN | <input type="checkbox"/> YELLOW |
| <input type="checkbox"/> BLACK | <input type="checkbox"/> WHITE |
| <input type="checkbox"/> BLUE | <input type="checkbox"/> BEIGE |
| <input type="checkbox"/> BRONZE | <input type="checkbox"/> SKY BLUE |
| <input type="checkbox"/> PURPLE | <input type="checkbox"/> CUSTOM |



SCALE: 3/4" = 1'-0"

N-SBT-RB



Niland Company

NILAND COMPANY • PH: (915) 779-1405 • FAX: (915) 779-3618 • E-MAIL: INFO@NILANDCO.COM
 320 N. Clark El Paso, Tx 79905 • PH: 800-648-9013 • FAX: 888-779-3065 • WEB PAGE: HTTP://www.nilandco.com