

# RETROPOLITAN SERIES

## NILAND STEEL TRASH RECEPTACLE

### SELECT DESIRED SIZE

- 24 GALLON
- 32 GALLON

### SELECT DESIRED MOUNTING OPTION

- EMBEDDED - E
- SURFACE FLANGE - F
- FREE STANDING - FS

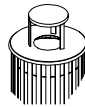
### SELECT DESIRED TOP OPTIONS



- W/ DOMED STEEL TOP



- W/ FLAT STEEL TOP



- FLAT STEEL TOP W/  
ELEVATED STEEL CANOPY



- LOW DOMED STEEL TOP WITH  
SELF CLOSING DOOR



- TAPERED STEEL TOP



- FLAT TAPERED STEEL TOP  
(STANDARD)



- W/ LOW DOMED  
STEEL TOP

### SELECT DESIRED FINISH

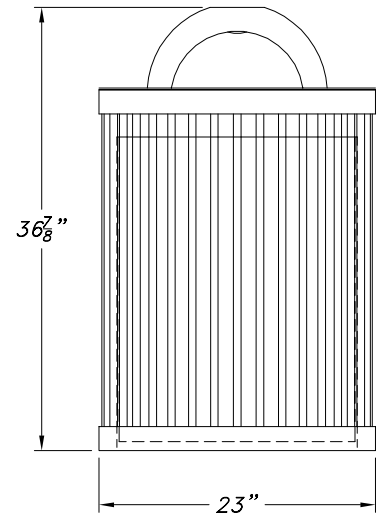
- HOT-DIPPED GALVANIZED - G
- POLYESTER POWDER COAT - P
- STAINLESS STEEL (#4 SATIN FINISH) - SS
- THERMOPLASTIC POWDER COAT - T

### SELECT DESIRED ACCESSORIES

- DOOR HUNG ASH URN (FOR UNITS  
W/ INTEGRAL LOCKING DOOR) - DHAU

### SELECT DESIRED COLOR

- |                                 |                                 |
|---------------------------------|---------------------------------|
| <input type="checkbox"/> RED    | <input type="checkbox"/> GREY   |
| <input type="checkbox"/> GREEN  | <input type="checkbox"/> YELLOW |
| <input type="checkbox"/> BLACK  | <input type="checkbox"/> WHITE  |
| <input type="checkbox"/> BLUE   | <input type="checkbox"/> BEIGE  |
| <input type="checkbox"/> BRONZE |                                 |



SCALE: 3/4" = 1'-0"

N-RTR-RB



**Niland Company**

NILAND COMPANY • PH: (915) 779-1405 • FAX: (915) 779-3618 • E-MAIL: INFO@NILANDCO.COM  
320 N. Clark El Paso, Tx 79905 • PH: 800-648-9013 • FAX: 888-779-3065 • WEB PAGE: HTTP://www.nilandco.com