

# CASCADIA SERIES

## NILAND STEEL TRASH RECEPTACLE

SELECT DESIRED SIZE

- 24 GALLON  
 32 GALLON

SELECT DESIRED FINISH

- HOT-DIPPED GALVANIZED - G  
 POLYESTER POWDER COAT - P  
 STAINLESS STEEL (#4 SATIN FINISH) - SS  
 THERMOPLASTIC POWDER COAT - T

SELECT DESIRED COLOR

- RED                       GREY  
 GREEN                     YELLOW  
 BLACK                     WHITE  
 BLUE                      BEIGE  
 BRONZE                  CUSTOM

SELECT DESIRED MOUNTING OPTION

- EMBEDDED - E  
 SURFACE FLANGE - F  
 FREE STANDING - FS

SELECT DESIRED ACCESSORIES

- ASH URN INSERT - AU

SELECT DESIRED TOP OPTIONS



- FLAT STEEL TOP (STANDARD) - F



- TAPERED STEEL TOP - TT



- DOMED STEEL TOP - DT



- FLAT STEEL TOP W/ ELEVATED STEEL CANOPY - FC



- LOW DOMED STEEL TOP - LD



- DOMED TOP W/ ASH BOWL - DTAU



- LOW DOMED STEEL TOP W/ SELF CLOSING DOOR - LDD

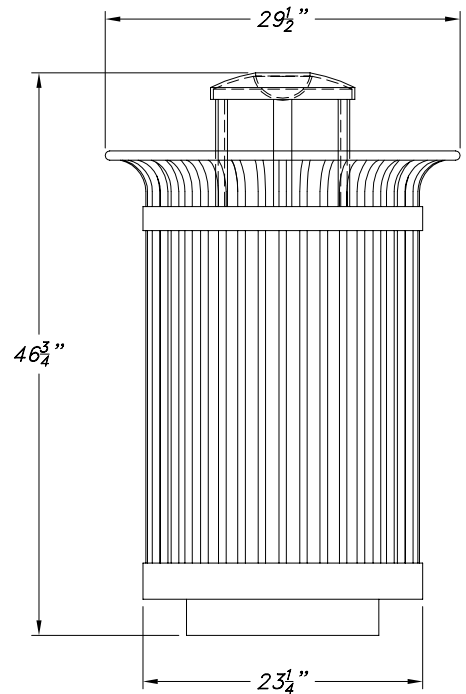


- ELEVATED CANOPY W/ ASH BOWL - FCAU



- FLAT TAPERED STEEL TOP (STANDARD)

- W/ NO TOP



SCALE: 3/4" = 1'-0"

N-CCT-RB



**Niland Company**

NILAND COMPANY • PH: (915) 779-1405 • FAX: (915) 779-3618 • E-MAIL: INFO@NILANDCO.COM  
 320 N. Clark El Paso, Tx 79905 • PH: 800-648-9013 • FAX: 888-779-3065 • WEB PAGE: HTTP://www.nilandco.com