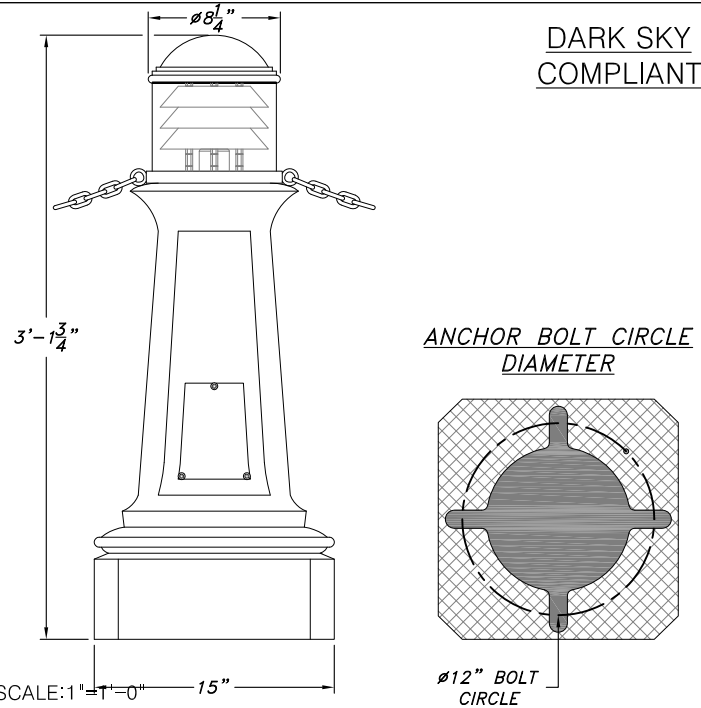
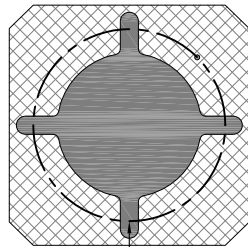


GENEVA SERIES ILLUMINATED BOLLARD



SCALE: 1" = 1'-0" 15"

ANCHOR BOLT CIRCLE
DIAMETER



Ø12" BOLT
CIRCLE

CSI POLE SPECIFICATION

I. BOLLARD

Bollard shall be cast aluminum. Aluminum shall be certified as pure 356 copper free of any porosity, foreign materials or cosmetic fillers. Base casting shall be of uniform wall thickness with no warping or mold shifting. Minimum wall thickness shall be .250". Cast aluminum access cover shall be secured with two to four stainless steel screws. There are no exterior welds to finish. The anchor bolt locations in the base shall be cast in place as part of the base casting, for maximum strength. The ballast canister shall be mounted in the base with three stainless steel screws. Aluminum Dark Sky split disk louvers mount to ballast canister. The louvers are designed for either a type III or type V light distribution pattern.

II. ELECTRICAL

All electrical components and materials shall be UL-recognized and wired by a certified UL technician. All Niland ballasts are high power factor rated for -30°C/-20°F starting. Medium base sockets are 4 KV rated. The electrical assembly is prewired with quick disconnects for servicing. Fixture shall be UL certified for wet locations.

III. ANCHORAGE DETAIL

Bollards shall use Ø1/2" x 18" L-type anchor bolts.

FINISHES

Five Year Powder Coating Warranty

Niland Company factory-applied powder coatings are warranted against peeling, excessive fading and cracking under normal climatic exposure for a period of five years from date of shipment. Damage to finish coating caused by abuse or mishandling during installation is not covered by warranty. This warranty is limited to the repair or replacement of the material involved and does not include reimbursement of consequential expenses such as installation or removal of equipment or transportation costs.

I. STANDARD FINISH

Satin Iron achieved by rotary sanding, blasting and phosphate conversion coating.

II. THERMOSET POWDER PAINT FINISH

Pretreatment shall consist of degreasing phosphate acid-etching with 140° and de-ionizing water, rinsed and oven dried.

FINISH COAT

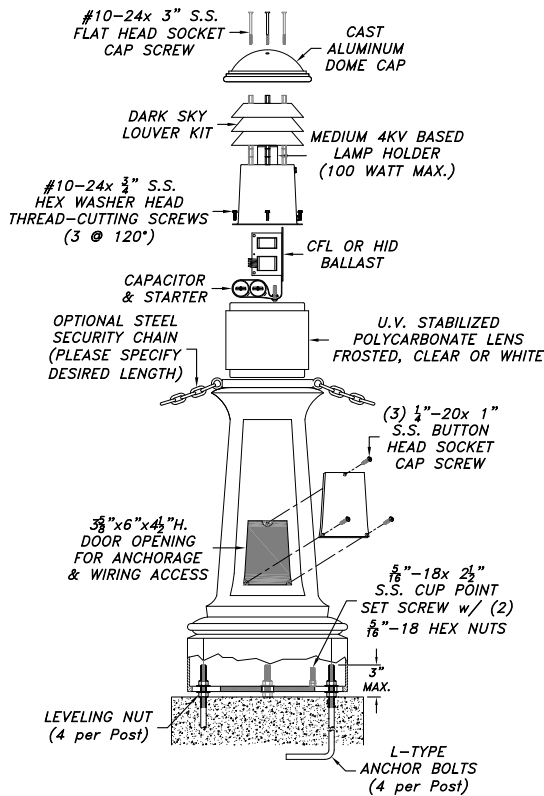
Thermoset TGIC super polyester powder coat finish electrostatically applied, oven cured and bonded at approximately 420° F to a minimum dry film thickness of 1.6 mils. All Niland powders must pass a minimum 3000-hour salt-spray test for corrosion resistance. The National Association of Architectural Metal Manufacturers, Metal Finishes Manual rates the outdoor life of these powders at 15-plus years.

III. LIQUID FINISH

Optional liquid finish is first prime coated then finished with a two part liquid epoxy coat.

WARRANTY

Niland Company warrants to repair or replace, at our option, any equipment that fails due to defects in material or workmanship within one year from date of shipment. This warranty does not include failures as a result of improper installation, mishandling or misapplication. This guarantee is limited to repair or replacement only and does not include reimbursement for expense of installation, removal of equipment, transportation or any other expenses that may be incurred. Authorization must be obtained from Niland Company in El Paso, Texas before any material is returned.



Catalog Name:

GV-15-BOLLARD-LOUVERS

GV-15-BOLLARD-LOUVERS- _____
Series Ballast Wattage Voltage Distribution Color

LENS	LIGHT SOURCE	WATTAGE		VOLTAGE	
		CFL	HID		
<input type="checkbox"/> FROSTED	<input type="checkbox"/> INC	<input type="checkbox"/> 16w	<input type="checkbox"/> 50w	<input type="checkbox"/> 120v	MULTI TAP 120v 240v 208v 277v PLEASE SPECIFY VOLTAGE
<input type="checkbox"/> CLEAR	<input type="checkbox"/> CFL	<input type="checkbox"/> 20w	<input type="checkbox"/> 70w	<input type="checkbox"/> 208v	
<input type="checkbox"/> WHITE (MILKY)	<input type="checkbox"/> HPS	<input type="checkbox"/> 32w	<input type="checkbox"/> 100w	<input type="checkbox"/> 240v	
	<input type="checkbox"/> PSMH			<input type="checkbox"/> 277v	
	<input type="checkbox"/> LED			<input type="checkbox"/> 480v	
LIGHT DISTRIBUTION	SECURITY CHAIN	COLOR OF POWDER COAT FINISH			
<input type="checkbox"/> TYPE III	<input type="checkbox"/> CHAIN LENGTH _____ ft	<input type="checkbox"/> (BLK) BLACK	<input type="checkbox"/> (HG) HAND BRUSHED GREEN		
<input type="checkbox"/> TYPE V	<input type="checkbox"/> NO CHAIN	<input type="checkbox"/> (BRZ) BRONZE	<input type="checkbox"/> (HR) HAND BRUSHED GRAY		
		<input type="checkbox"/> (GRN) GREEN	<input type="checkbox"/> CUSTOM _____		

Revision #: _____ Date: 02.15.18 Page: 1 of 1
Revision History: N/A

Niland Approval: Luis M. Gomez Customer Approval: _____



Niland Company

NILAND COMPANY • PH: (915) 779-1405 • FAX: (915) 779-3618 • E-MAIL: INFO@NILANDCO.COM
320 N. Clark El Paso, Tx 79905 • PH: 800-648-9013 • FAX: 888-779-3065 • WEB PAGE: HTTP://www.nilandco.com