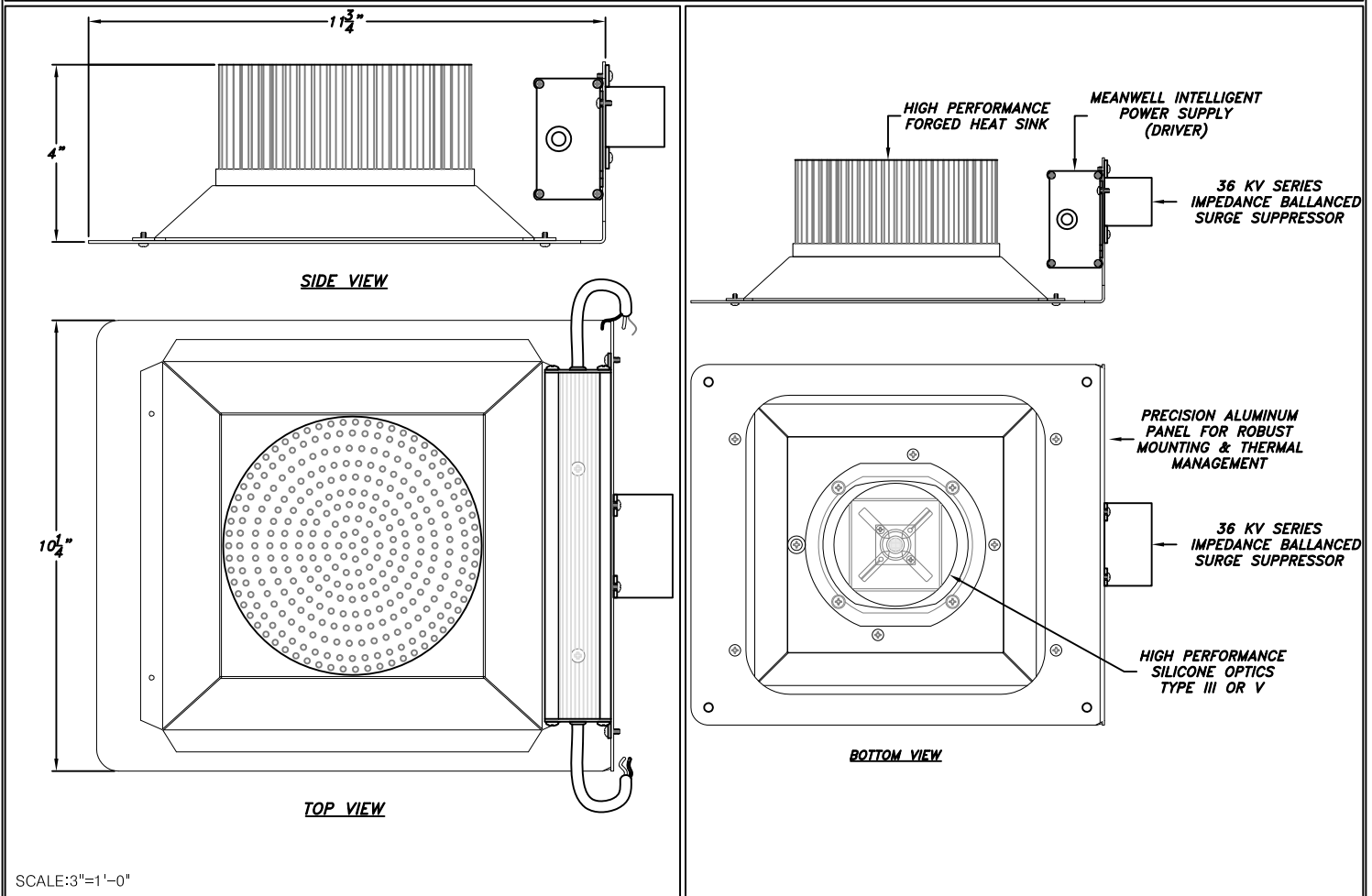


LED S7 SERIES RETRO-FIT

LED-S7-RETRO



SCALE: 3"=1'-0"

STANDARD KELVIN	WATTAGE RANGE ACTUAL = EQUIVALENT = LUMENS	VOLTAGE RANGE-AC	LIGHT DISTRIBUTION	INSTALLATION	***CAUTION***
<input type="checkbox"/> 3000 <input type="checkbox"/> 4000 <input type="checkbox"/> 5000	<input type="checkbox"/> 60w=100w HPS/150w MH EQ.- 7,400 Lmns <input type="checkbox"/> 80w=150w HPS/250w MH EQ.- 9,800 Lmns <input type="checkbox"/> 115w=200w HPS/320w MH EQ.-12,800 Lmns <input type="checkbox"/> 140w=250w HPS/400w MH EQ.-15,800 Lmns <input type="checkbox"/> 240w=400w HPS/750w MH EQ.-28,300 Lmns	120/277v	<input type="checkbox"/> TYPE III <input type="checkbox"/> TYPE V	REMOVE EXISTING BALLAST AND WIRE DIRECT 120-277vAC	***DO NOT INSTALL OR REMOVE WHILE BASE IS ENERGIZED***

LED SPECIFICATION

<p>LED ESSEMBLY Electrical components are one piece plug-in. LED assembly unit shall be mounted in the post top. Fixture shall be UL certified for wet locations.</p> <p>LED POWER SUPPLY All electrical components and materials shall be UL-recognized and wired by a certified UL technician. The electrical assembly is prewired with quick disconnects for servicing. Electrical components rated for 1 amp but only draws 300 milliamps which adds to the units longevity. Input voltage 120-277v with 36kV surge suppression. All components are IP66 wet location rated with a 1.0 PF rating. Service life up to 100,000 hours life at -40°C to +40°C ambient operating temperature. <20% Total Harmonic Distortion, Thermal Overload Protected.</p> <p>LED CIRCUIT BOARD LED's are available in 3000, 4000 & 5000 Kelvin with a Type III or Type V light distribution. Instant On/Off soft start. PF rating of 95% Solid State panel.</p> <p>MOUNTING Multi position mounting plate</p>	<p>CERTIFICATION LED unit is DLC Listed with IP66 Components. The S7 Retrofit Kit designed to UL 1598 and UL 1449 3rd Edition. UL driver installed.</p> <p>WARRANTY Five year standard fixture warranty</p> <p>PHOTOMETRICS Contact manufacturer for details.</p>
---	--

Catalog Name: LED-S7-RETRO Date: 03.22.19 Revision History: N/A Revision #: 0	<p style="font-weight: bold; font-size: 1.2em;">Leading The Way For Solid State Street Lighting</p> <p style="font-size: 1.5em; color: orange;">OSRAM SYLVANIA</p> <p style="font-weight: bold; font-size: 1.2em;">QUICK 60+ Warranty On Parts</p>
Niland Company PH: (915) 779-1405 FAX: (915) 779-3618 E-MAIL: INFO@NILANDCO.COM 320 N. Clark El Paso, Tx 79905 PH: 800-648-9013 FAX: 888-779-3065 WEB PAGE: HTTP://www.nilandco.com	

Niland Approval: Luis M. Gomez Customer Approval: _____ Page: 1 of 1